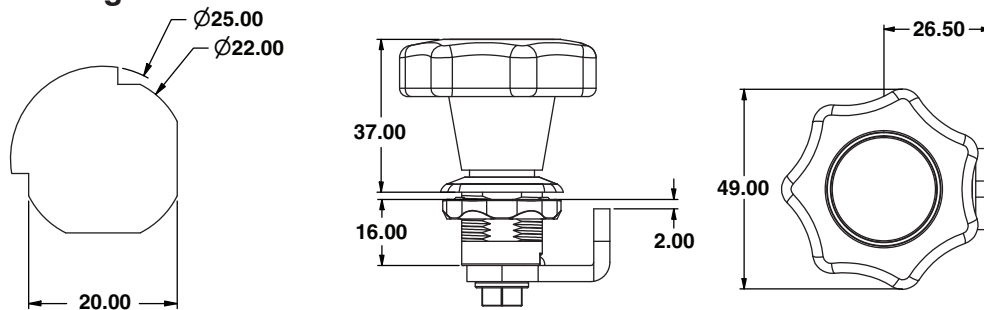


# 880 SCQCOM SERIES

COMMERCIAL & 1100 ENCLOSURES STAR HANDLE

## 880 SCQCOM star handle

Drawings:



Available material:

Polyamide GF



### Star handle

Catalog number:  
880 SCQCOM-STH

Material:  
Polyamide GF / Zinc

Key included: Key number:  
N/A N/A

500

