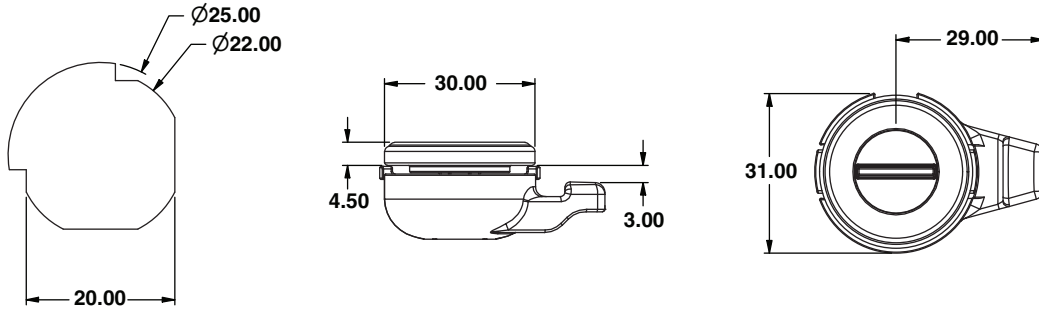


880 SCQCOM SERIES

COMMERCIAL & 1100 ENCLOSURES POLYMER LOCKS

880 SCQCOM series quick install 1/4 turn locks

Drawings:



Please note that this drawing is only for reference.

Available materials:

Polyamide GF



Slot 2 X 4mm
Polyamide & zinc

Catalog number:

880 SCQ1-SLF

Material:

Polyamide GF

Key included: Key number:

N/A

N/A

Zinc cast



Slot 2 X 4mm
Polyamide & zinc

Catalog number:

880 SCQ1-SLZ

Material:

Zinc Cast

Key included: Key number:

N/A

N/A

Polyamide GF



Slot 2 X 4mm
Polyamide with long cam

Catalog number:

880 SCQ1-SLL

Material:

Polyamide GF

Key included: Key number:

N/A

N/A

Note: This lock is designed to fit the 1100 E recessed lock enclosures.