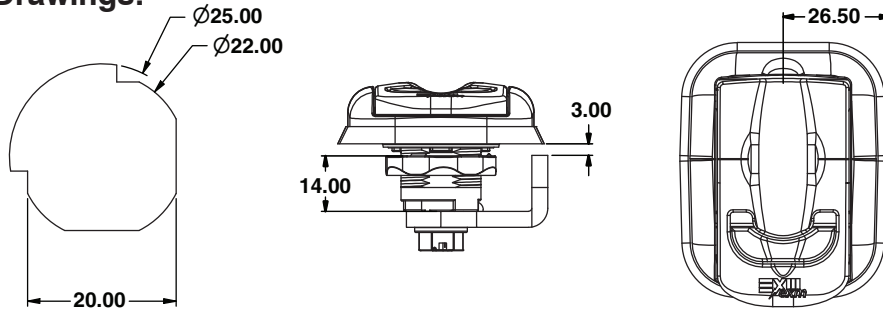


# 880 SCQCOM SERIES

COMMERCIAL & 1100 ENCLOSURES COMBINATION LOCK & PADLOCK PROVISION

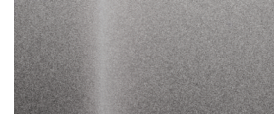
## 880 SCQCOM padlock provision

Drawings:



Available material:

Zinc cast



### Padlock provision

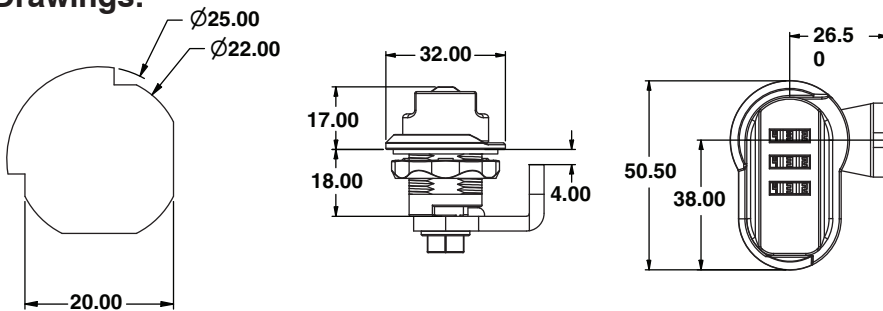
Catalog number:  
880 SCQCOM-PL

Material:  
Zinc cast

Key included: Key number:  
N/A N/A

## 880 SCQCOM combination lock

Drawings:



Available material:

Plated steel



### Combination lock

Catalog number:  
880 SCQCOM-NL

Material:  
Plated steel

Key included: Key number:  
N/A N/A



499