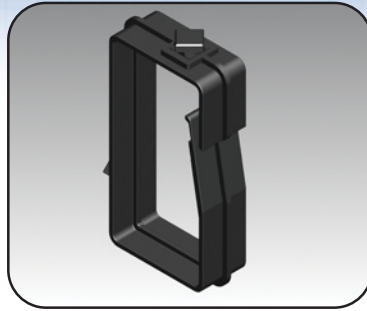


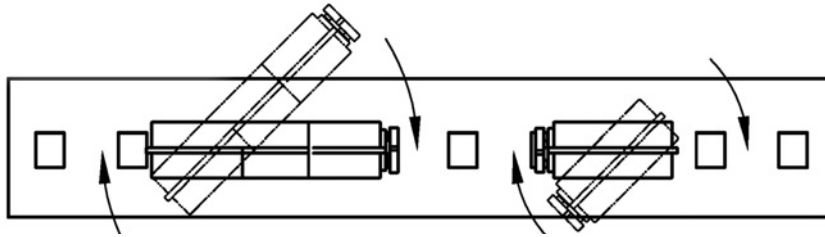
Wire-catches

The 886 WC wire-catches are designed to fit onto the channel of the Mtrx cabinets. This item can be installed on a vertical or horizontal position without any nuts or screws. The wire-catch is reusable and offers a built-in catch device to prevent widening.

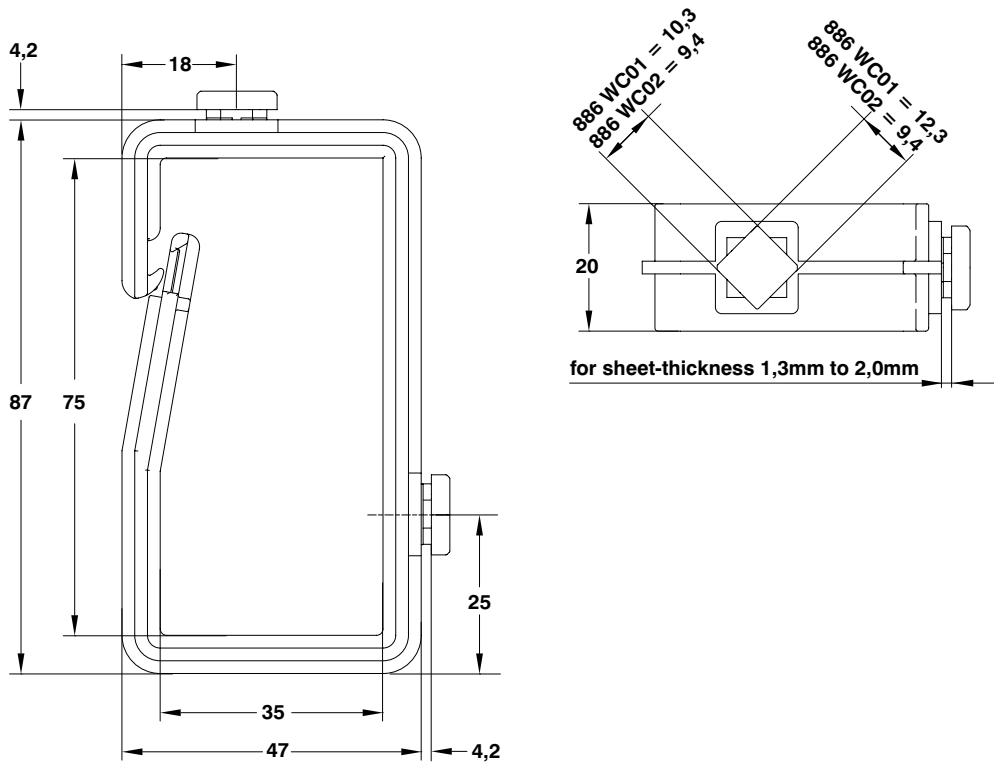


| CATALOG NUMBER | for use with | Cable space (mm) |
|----------------|-------------------------------------|------------------|
| 886 WC01 | 6500 & 6100 frames | 75 x 35 |
| 886 WC02 | 6500 MXL Rails (19" rack angles) | 75 x 35 |

For more information on cable management solutions, call our customer service at 1-800-363-2423 or visit us online at www.exmweb.com



INSERT INTO RECTANGULAR CUTOUT AND ROTATE 45° TO LOCK IN PLACE.



For more information on cable clamps and cable entry grommets refer to page 119.

Data subject to change without notice.