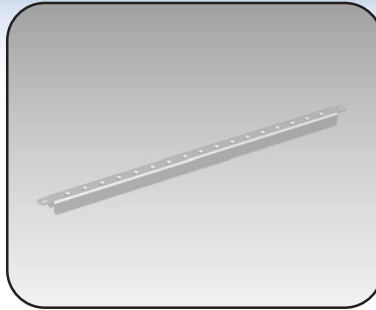


## Door rails

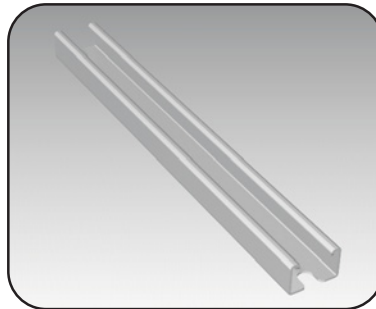
The **886 DR** horizontal door rails are designed to increase the mounting capacity of Mtrx cabinet doors. There are M5 holes every 25mm on the door rail. The 886 DR consists of one door rail with all installation hardware.



CATALOG NUMBER	FITS CABINET WIDTH
886 DR04	400
886 DR06	600, 1200
886 DR07	700
886 DR08	800, 1600
886 DR10	1000
886 DR09	900

## Transformer support bracket

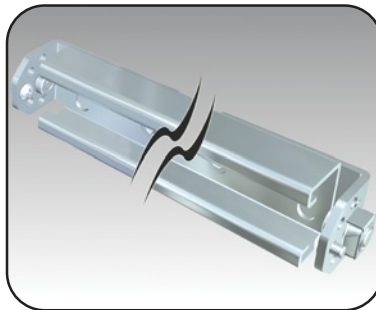
The **6500 MXTSB** transformer support brackets are used to mount transformers and other heavy equipment at the bottom of the cabinet. The kit includes two support brackets and installation hardware.



CATALOG NUMBER	FITS CABINET WIDTH
6500 MXTSB04	400mm
6500 MXTSB06	600mm
6500 MXTSB07	700mm
6500 MXTSB08	800mm
6500 MXTSB10	1000mm
6500 MXTSB12	1200mm
6500 MXTSB16	1600mm
6500 MXTSB09	900mm

## C type cable collecting rails

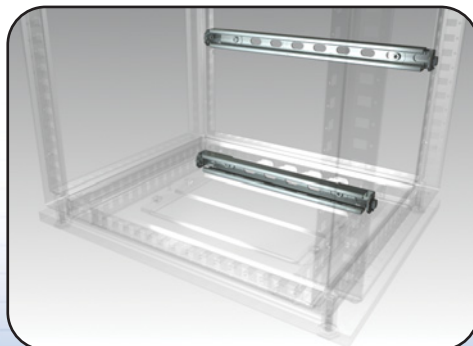
The **6500 MXCRAIL** cable collecting rail kit is used to fasten cable clamps in order to provide strain relief prior to making connections to equipment. The collecting rail kit includes one rail, two fastening brackets and all installation hardware. The rail can be rotated by increments of 45° to assist in cable routing.



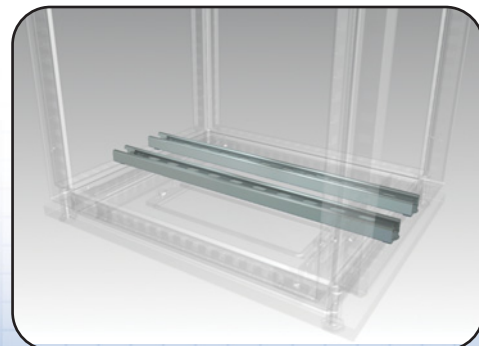
CATALOG NUMBER *	FITS CABINET WIDTH
6500 MXCRAIL03	300
6500 MXCRAIL04	400
6500 MXCRAIL05	500
6500 MXCRAIL06	600
6500 MXCRAIL07	700
6500 MXCRAIL08	800
6500 MXCRAIL09	900
6500 MXCRAIL10	1000
6500 MXCRAIL11	1100
6500 MXCRAIL12	1200
6500 MXCRAIL13	1300
6500 MXCRAIL14	1400
6500 MXCRAIL15	1500
6500 MXCRAIL16	1600
6500 MXCRAIL17	1700
6500 MXCRAIL18	1800
6500 MXCRAIL19	1900
6500 MXCRAIL20	2000
6500 MXCRAIL21	2100
6500 MXCRAIL22	2200

**NOTE\*:** standard c-rails have 5/8 inch opening. For smaller opening rail (16 mm) add suffix 'S'. The smaller rails will accommodate the 886UB cable clamps. (p.119)

6500 MXCRAIL



6500 MXTSB



Data subject to change without notice.