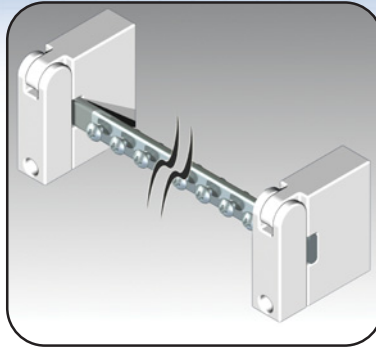


Potential equalization bar kit

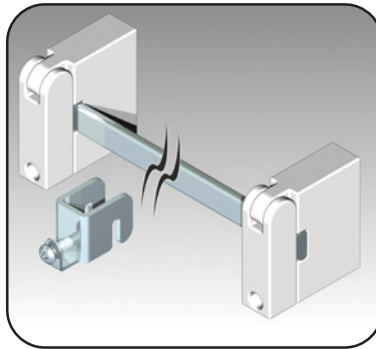
The **886 GPB potential equalization bar kit** is comprised of: (i) a 450mm long copper bar (15 x 5 mm section) with an approximate current carrying capacity of 200A; (ii) 20 connection points with M5 screws; (iii) 2 ground connections; (iv) 2 isolators and installation hardware.



CATALOG NUMBER	SHIP WGHT LBS.
886 GPB	1

Potential equalization rail kit

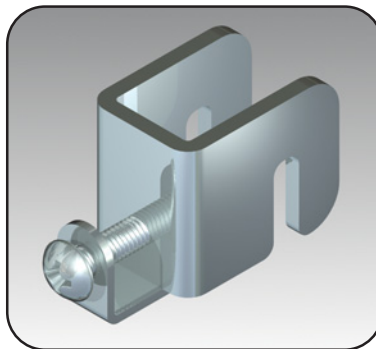
The **886 GPR potential equalization rail kit** is comprised of: (i) a copper rail (15x5mm section) with an approximate current carrying capacity of 200A; (ii) 15 conductor connector clamps 2.5 - 16 mm²; (iii) 2 ground connections; (iv) 2 isolators and installation hardware.



CATALOG NUMBER	NOMINAL CABINET DIM. (MM)	ACTUAL BAR LENGTH (MM)
886 GPR06	600	400
886 GPR07	700	500
886 GPR08	800	600
886 GPR09	900	700
886 GPR10	1000	800
886 GPR12	1200	1000
886 GPR14	1400	1200
886 GPR16	1600	1400
886 GPR18	1800	1600
886 GPR20	2000	1800
886 GPR22	2200	2000

Ground rail conductor connector clamp kit

The **886 GPRC ground rail conductor connector clamp kit** is comprised of 15 conductor connector clamps 2.5 - 16mm.



CATALOG NUMBER	SHIP WGHT LBS.
886 GPRC	1

Touch up paint

The **880 P** touch up spray paint cans are exact color match enamel paints in 12 oz. spray cans. They are sold in packs of 6 cans.

- 880 PGL:** Used for outer panels
- 880 PSG:** Used for frame
- 880 PTC:** Used for outer panels on older cabinets



CATALOG NUMBER	COLOR	PACKS OF
880 PGL	RAL7035 - light gray	6
880 PSG	RAL7011 - gray	6
880 PTC	RAL7032 - beige	6
880 PTK	RAL9005 - black	6

Additional colors are available on page 462.

Data subject to change without notice.