

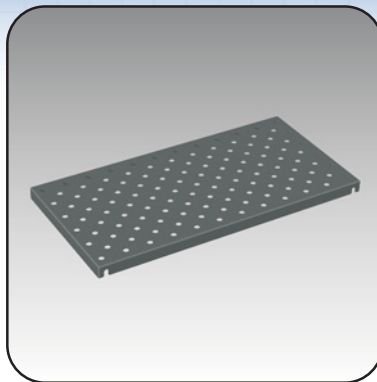
# NEMA 12-13 Mtrx SHELVING & STORAGE 6500 MXSH

## Fixed shelf

The 6500 MXSH fixed shelves are used to support computers or other light equipment. The shelves are vented to allow air circulation.

They are installed directly on the frame, using the included installation hardware. Several shelves can be installed in a cabinet. Shelves are available for all single bay cabinet configurations.

Transformers or other heavy equipment should be mounted to the bottom of the cabinet using the Transformer Support Bracket kit (6500 MXTSB), see page 118.



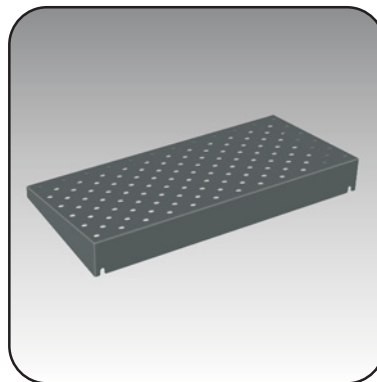
CATALOG NUMBER	NOMINAL	
	W	D
6500 MXSH0404	400	400
6500 MXSH0405	400	500
6500 MXSH0406	400	600
6500 MXSH0408	400	800
6500 MXSH0604	600	400
6500 MXSH0605	600	500
6500 MXSH0606	600	600
6500 MXSH0608	600	800
6500 MXSH0609	600	900
6500 MXSH0610	600	1000
6500 MXSH0706	700	600
6500 MXSH0708	700	800
6500 MXSH0709	700	900
6500 MXSH0710	700	1000
6500 MXSH0804	800	400
6500 MXSH0805	800	500
6500 MXSH0806	800	600
6500 MXSH0808	800	800
6500 MXSH0809	800	900
6500 MXSH0810	800	1000
6500 MXSH0904	900	400
6500 MXSH0905	900	500
6500 MXSH0906	900	600
6500 MXSH0908	900	800
6500 MXSH0909	900	900
6500 MXSH0910	900	1000
6500 MXSH1004	1000	400
6500 MXSH1005	1000	500
6500 MXSH1006	1000	600
6500 MXSH1008	1000	800
6500 MXSH1009	1000	900

## Sloped fixed shelf for monitor

The 6500 MXSHS sloped fixed shelves are used to support computers monitors or other light equipment. The shelves are vented to allow air circulation.

The shelves are sloped to facilitate monitor viewing. They are installed directly on the frame, using the included installation hardware. Several shelves can be installed in a cabinet. Shelves are available for all single bay cabinet configurations.

Transformers or other heavy equipment should be mounted to the bottom of the cabinet using the Transformer Support Bracket kit (6500 MXTSB), see page 118.



CATALOG NUMBER	NOMINAL	
	W	D
6500 MXSHS0404	400	400
6500 MXSHS0405	400	500
6500 MXSHS0406	400	600
6500 MXSHS0408	400	800
6500 MXSHS0604	600	400
6500 MXSHS0605	600	500
6500 MXSHS0606	600	600
6500 MXSHS0608	600	800
6500 MXSHS0609	600	900
6500 MXSHS0610	600	1000
6500 MXSHS0706	700	600
6500 MXSHS0708	700	800
6500 MXSHS0709	700	900
6500 MXSHS0710	700	1000
6500 MXSHS0804	800	400
6500 MXSHS0805	800	500
6500 MXSHS0806	800	600
6500 MXSHS0808	800	800
6500 MXSHS0809	800	900
6500 MXSHS0810	800	1000
6500 MXSHS0904	900	400
6500 MXSHS0905	900	500
6500 MXSHS0906	900	600
6500 MXSHS0908	900	800
6500 MXSHS0909	900	900
6500 MXSHS0910	900	1000
6500 MXSHS1004	1000	400
6500 MXSHS1005	1000	500
6500 MXSHS1006	1000	600
6500 MXSHS1008	1000	800
6500 MXSHS1009	1000	900

# 19"?

The shelving solutions above are installed directly on the cabinet frame. Shelves are also available for installation on 19" rack angles. See page 133 for details.

Data subject to change without notice.

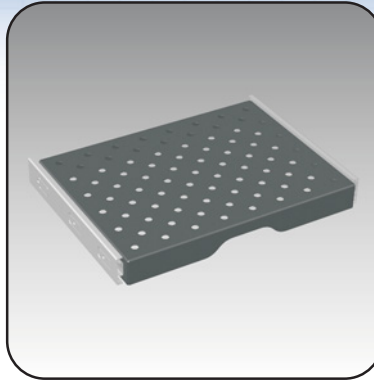
# NEMA 12-13 Mtrx SHELVING & STORAGE 6500 MXSP

## Pull-out shelf

The **6500 MXSP pull-out shelves** are used to support computers or other light equipment. The shelves are vented to allow air circulation.

They are installed directly on the frame, using the included installation brackets. Several shelves can be installed in a cabinet. Shelves are available for all single bay cabinet configurations.

Transformers or other heavy equipment should be mounted to the bottom of the cabinet using the Transformer Support Bracket kit (6500 MXTSB), see page 118.



CATALOG NUMBER	NOMINAL	
	W	D
6500 MXSP0404	400	400
6500 MXSP0405	400	500
6500 MXSP0406	400	600
6500 MXSP0408	400	800
6500 MXSP0604	600	400
6500 MXSP0605	600	500
6500 MXSP0606	600	600
6500 MXSP0608	600	800
6500 MXSP0609	600	900
6500 MXSP0610	600	1000
6500 MXSP0706	700	600
6500 MXSP0708	700	800
6500 MXSP0709	700	900
6500 MXSP0710	700	1000
6500 MXSP0804	800	400
6500 MXSP0805	800	500
6500 MXSP0806	800	600
6500 MXSP0808	800	800
6500 MXSP0809	800	900
6500 MXSP0810	800	1000
6500 MXSP0904	900	400
6500 MXSP0905	900	500
6500 MXSP0906	900	600
6500 MXSP0908	900	800
6500 MXSP0909	900	900
6500 MXSP0910	900	1000
6500 MXSP1004	1000	400
6500 MXSP1005	1000	500
6500 MXSP1006	1000	600
6500 MXSP1008	1000	800
6500 MXSP1009	1000	900

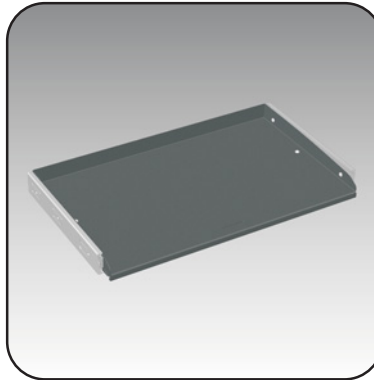
**MX/SL**  
COMPATIBLE

## Pull-out shelf with sliding mouse pad

The **6500 MXSPM pull-out shelves with mouse pad** are used to support computers or other light equipment. The shelves are vented to allow air circulation.

They are installed directly on the frame, using the included installation brackets. Several shelves can be installed in a cabinet. Shelves are available for all single bay cabinet configurations.

Transformers or other heavy equipment should be mounted to the bottom of the cabinet using the Transformer Support Bracket kit (6500 MXTSB), see page 118.



CATALOG NUMBER	NOMINAL	
	W	D
6500 MXSPM0404	400	400
6500 MXSPM0405	400	500
6500 MXSPM0406	400	600
6500 MXSPM0408	400	800
6500 MXSPM0604	600	400
6500 MXSPM0605	600	500
6500 MXSPM0606	600	600
6500 MXSPM0608	600	800
6500 MXSPM0609	600	900
6500 MXSPM0610	600	1000
6500 MXSPM0706	700	600
6500 MXSPM0708	700	800
6500 MXSPM0709	700	900
6500 MXSPM0710	700	1000
6500 MXSPM0804	800	400
6500 MXSPM0805	800	500
6500 MXSPM0806	800	600
6500 MXSPM0808	800	800
6500 MXSPM0809	800	900
6500 MXSPM0810	800	1000
6500 MXSPM0904	900	400
6500 MXSPM0905	900	500
6500 MXSPM0906	900	600
6500 MXSPM0908	900	800
6500 MXSPM0909	900	900
6500 MXSPM0910	900	1000
6500 MXSPM1004	1000	400
6500 MXSPM1005	1000	500
6500 MXSPM1006	1000	600
6500 MXSPM1008	1000	800
6500 MXSPM1009	1000	900

**19"?**

The shelving solutions above are installed directly on the cabinet frame. Shelves are also available for installation on 19" rack angles. See page 133 for details.

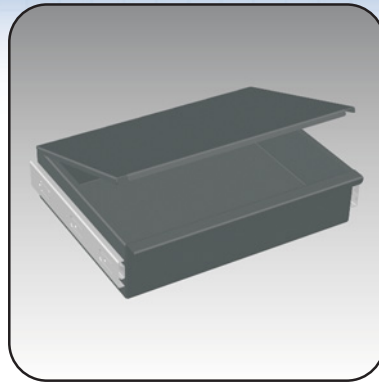
Data subject to change without notice.

# NEMA 12-13 Mtrx SHELVING & STORAGE 6500 MXSDW

## Drawer

The **6500 MXSHD** pull-out drawers are used to store light equipment. The drawers come with a writing surface which serves as a drawer cover.

They are installed directly on the frame, using the included installation brackets. Several drawers can be installed in a cabinet. Drawers are available for all single bay cabinet configurations.

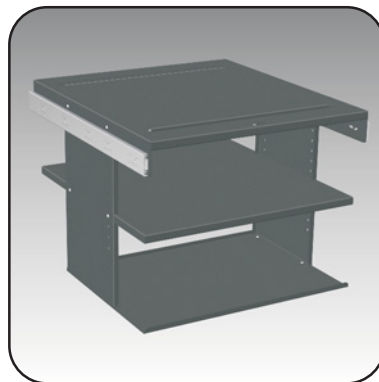


CATALOG NUMBER	NOMINAL	
	W	D
6500 MXSHD0404	400	400
6500 MXSHD0405	400	500
6500 MXSHD0406	400	600
6500 MXSHD0408	400	800
6500 MXSHD0604	600	400
6500 MXSHD0605	600	500
6500 MXSHD0606	600	600
6500 MXSHD0608	600	800
6500 MXSHD0609	600	900
6500 MXSHD0610	600	1000
6500 MXSHD0706	700	600
6500 MXSHD0708	700	800
6500 MXSHD0709	700	900
6500 MXSHD0710	700	1000
6500 MXSHD0804	800	400
6500 MXSHD0805	800	500
6500 MXSHD0806	800	600
6500 MXSHD0808	800	800
6500 MXSHD0809	800	900
6500 MXSHD0810	800	1000
6500 MXSHD0904	900	400
6500 MXSHD0905	900	500
6500 MXSHD0906	900	600
6500 MXSHD0908	900	800
6500 MXSHD0909	900	900
6500 MXSHD0910	900	1000
6500 MXSHD1004	1000	400
6500 MXSHD1005	1000	500
6500 MXSHD1006	1000	600
6500 MXSHD1008	1000	800
6500 MXSHD1009	1000	900

## Pull out printer shelf

The **6500 MXPRISH** pull out printer shelves are used to support computer printers or other light equipment.

The top shelf is slotted to allow the use of continuous feed printers. The shelves are installed directly on the frame, using the included installation hardware. Printer shelves can be installed in cabinets with a width and depth of 800x800 or 800x900.



CATALOG NUMBER	NOMINAL	
	W	D
6500 MXPRISH0808	800	800
6500 MXPRISH0809	800	900

## Folding shelf

The **886 FS folding shelves** are designed to be installed either on the inside (door mounted) or outside (surface mounted) of an enclosure. Width specific door rails and hardware are provided for installation. Finish is white heat fused polyester powder.

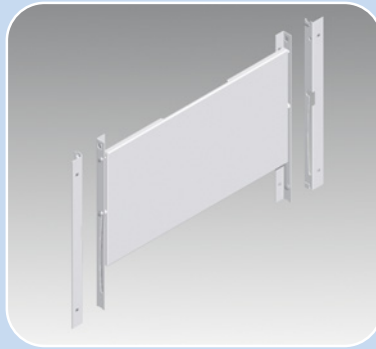


CATALOG NUMBER	WIDTH / DEPHT	FIT NOMI-
		NAL DOOR WIDTH
886 FS121205	305 / 305	500
886 FS121206	305 / 305	600, 1200
886 FS121207	305 / 305	700
886 FS121208	305 / 305	800, 1600
886 FS121209	305 / 305	900
886 FS121210	305 / 305	1000
886 FS181805	457 / 457	500
886 FS181806	457 / 457	600, 1200
886 FS181807	457 / 457	700
886 FS181808	457 / 457	800, 1600
886 FS181809	457 / 457	900
886 FS181810	457 / 457	1000

Data subject to change without notice.

## Low profile folding shelf – External or Internal

The **886 FSX Low profile folding shelves** are made of 16GA steel and can be installed inside on the mtrx modular cabinet door stiffeners or outside directly onto the sheetmetal. Usable depth of shelf is 230mm. Finish is light gray RAL7035 heat fused polyester powder.



886 FSX04	242	400
886 FSX06	442	600, 1200
886 FSX07	542	700

## External keyboard and screen console

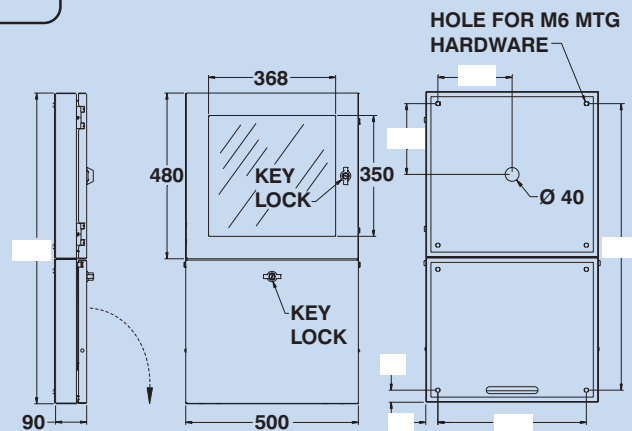
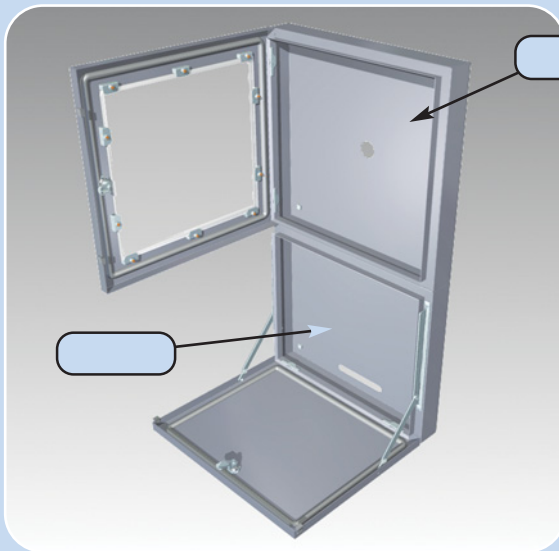
The combination of the **886 KBF** and the **886 KBS** offers a solution for housing a keyboard and a flat screen. These two items are made of 16GA steel and can be installed on any enclosure surface.

The **886 KBF** external tray is designed to accommodate standard keyboard and mouse sizes.

The **886 KBS** screen compartment is designed to accommodate at most a 21 inch flat screen. The compartment is accessible via a locking window door made of 16GA steel and polycarbonate window. Finish is light gray RAL7035 heat fused polyester powder.

886 KBS06	480	500	90
886 KBF06	480	500	90

**NOTE:** Supplied with mounting hardware, however may require drilling holes for installation



The two items 886 KBF and 886 KBS need to be selected in order to complete this kit

Data subject to change without notice.