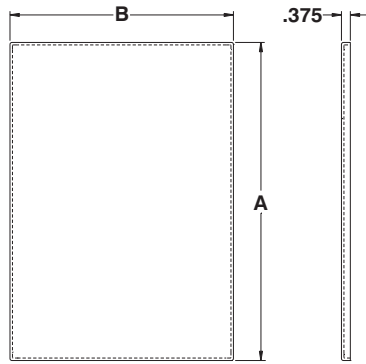


# GLAND PLATES

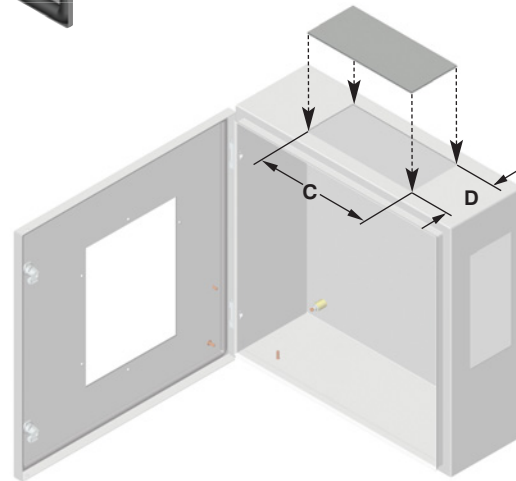
## Concealed access cable entry

The **880 GP** are designed to be used as cable entry plates. Gland plates come with concealed mounting hardware that doesn't permit access from outside the enclosure. Plates are finished with ANSI/ASA 61 gray heat fused polyester powder, electrostatically applied on a pretreated base. (other colors available).

**CSA Certified / UL Listed**  
**NEMA/EEMAC 4-12 / IP66**



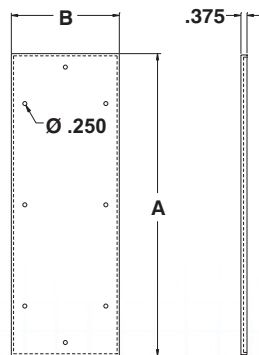
CATALOG NUMBER	DIMENSIONS				SHIP WGHT LBS.
	A	B	C	D	
880 GP1005	10.5	5.5	9	4	1
880 GP1007	10.5	7.5	9	6	2
880 GP1009	10.5	9.5	9	8	2
880 GP1011	10.5	11.5	9	10	2
880 GP1015	10.5	15.5	9	14	3
880 GP1805	18.5	5.5	17	4	2
880 GP1807	18.5	7.5	17	6	3
880 GP1809	18.5	9.5	17	8	3
880 GP1811	18.5	11.5	17	10	4
880 GP1815	18.5	15.5	17	14	5



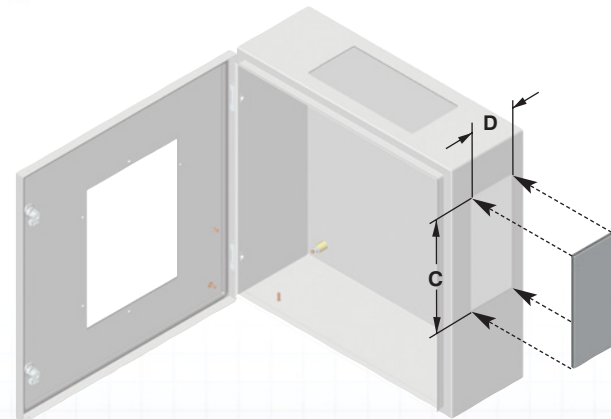
## Screw-on cable entry

The **880 GPS** are designed to be used as cable entry plates. Gland plates are retained with screws from the outside of the enclosure. Plates are finished with ANSI/ASA 61 gray heat fused polyester powder, electrostatically applied on a pretreated base. (other colors available).

**CSA Certified / UL Listed**  
**NEMA/EEMAC 4-12 / IP66**



CATALOG NUMBER	DIMENSIONS				SHIP WGHT LBS.
	A	B	C	D	
880 GPS1006	10.5	6.5	8	4	1
880 GPS1008	10.5	8.5	8	6	2
880 GPS1010	10.5	10.5	8	8	2
880 GPS1012	10.5	12.5	8	10	3
880 GPS1016	10.5	16.5	8	14	3
880 GPS1806	18.5	6.5	16	4	2
880 GPS1808	18.5	8.5	16	6	3
880 GPS1810	18.5	10.5	16	8	4
880 GPS1812	18.5	12.5	16	10	4
880 GPS1816	18.5	16.5	16	14	6



Data subject to change without notice.