

Plastic print pocket

The **880 PP** Print pockets are made of plastic and are installed using the self adhesive backing or using the mounting holes provided for M6 studs. Finish is red.



CATALOG NUMBER	DIMENSIONS		
	H	W	D
880 PP	152	241	25
880 PPL	305	305	25

MX/SL
COMPATIBLE

Large metal print pocket

The **886 PPXL** Extra large metal print pockets are made of steel and are installed on the vertical rails on the cabinet doors. Finish is red heat fused polyester powder, electrostatically applied on a pretreaded base.



CATALOG NUMBER	DIMENSIONS			FITS CABINET WIDTHS
	H	W	D	
886 PPXL04	300	245	81	400
886 PPXL06	300	445	81	600, 1200
886 PPXL07	300	545	81	700
886 PPXL08	300	645	81	800, 1600
886 PPXL09	300	745	81	900
886 PPXL10	300	845	81	1000

Generic large metal print pocket

The **886 PPG** Generic large metal print pockets are made of steel and installed in the lower corner of the door stiffeners. Fastened to a vertical stiffener and the lower horizontal stiffener. Finish is red heat fused polyester powder.

Note: Not compatible with streamline cabinets and doors.



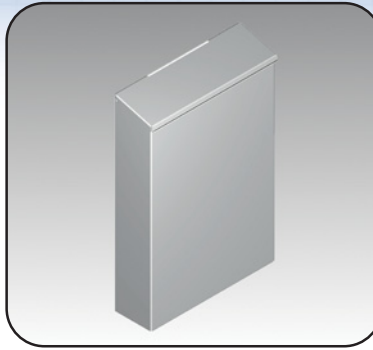
CATALOG NUMBER	DIMENSIONS			FITS CABINET WIDTHS
	H	W	D	
886 PPG	300	445	81	600, 700, 800, 900, 1000, 1200, 1600, 1800

Data subject to change without notice.



External print pocket with lid

The 886 PPEX External print pockets with lid are made of 16GA steel and can be installed on any outside enclosure surface. The print pockets will accommodate standard B size binders either vertically or horizontally. Knockouts are supplied to mount an optional padlockable pull down hasp. Finish is light gray RAL7035 heat fused polyester powder.



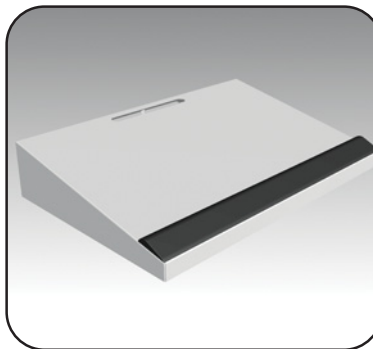
CATALOG NUMBER	DIMENSIONS (mm)		
	H	W	D
886 PPEXV	460	305	90
886 PPEXH	330	445	90

NOTE: Supplied with mounting hardware, however may require drilling holes for installation

MX/SL
COMPATIBLE

External keyboard tray

The 886 KBEX External keyboard trays are made of 16GA steel and can be installed on any outside enclosure surface. The external tray is designed to accommodate standard keyboard and mouse sizes. Finish is light gray RAL7035 heat fused polyester powder.

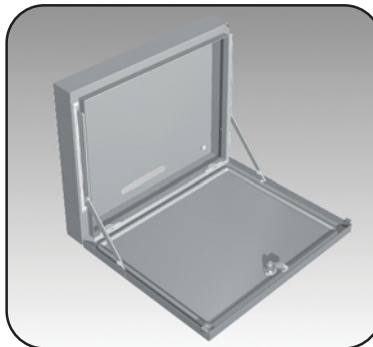


CATALOG NUMBER	DIMENSIONS (mm)		
	H	W	D
886 KBEX06	320	500	90

NOTE: Supplied with mounting hardware, however may require drilling holes for installation

Fold down keyboard tray

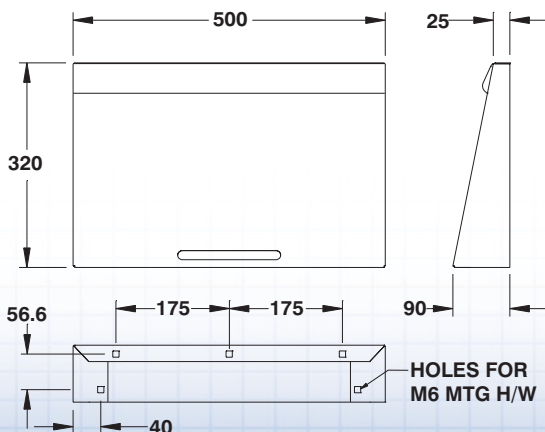
The 886 KBF Fold down keyboard trays are made of 16GA steel and can be installed on any outside enclosure surface. The fold down tray is designed to accommodate standard keyboard and mouse sizes. Finish is light gray RAL7035 heat fused polyester powder.



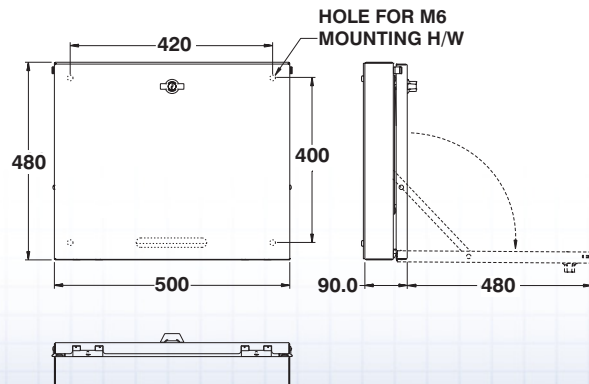
CATALOG NUMBER	DIMENSIONS (mm)		
	H	W	D
886 KBF06	480	500	90

NOTE: Supplied with mounting hardware, however may require drilling holes for installation

886 KBEX drawing



886 KBF drawing



Data subject to change without notice.