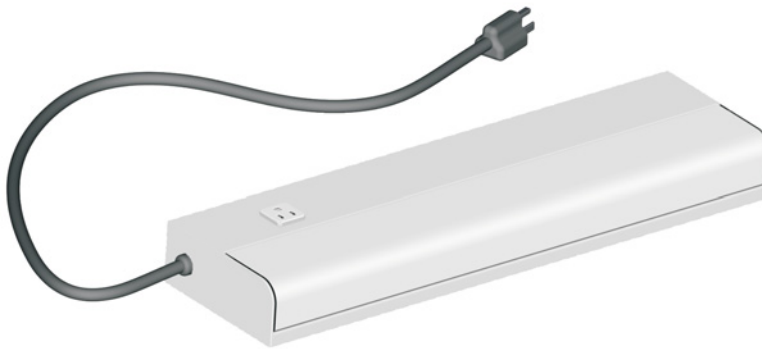


Enclosure lights - Series 880 FLPW

The **880 FLPW** fluorescent light packages are designed to illuminate the interiors of small to large enclosures. They are provided with an on/off switch, a 115 V power outlet and an 8 foot cord without a plug. They are powered

by 120V voltage. The lighting packages mount on 1/4-20 bolts and are available in lengths of 18", 24", 36" and 48". The 880 FLPW can also be mounted using the optionally available magnet kit (880 FLM). A remote door switch

(886 FLRDS) can also be ordered separately to turn the light on and off as the door is opened and closed. Please note that the fluorescent light bulb is not included and must be ordered separately.

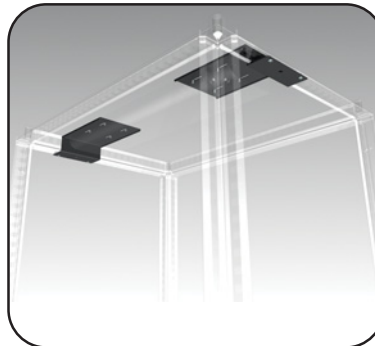


MX/SL
COMPATIBLE

CATALOG NUMBER	LENGTH	SHIP WGHT LBS.
880 FLPW18	18"	8
880 FLPW24	24"	10
880 FLPW36	36"	16
880 FLPW48	48"	20

Mtrx light mounting bracket

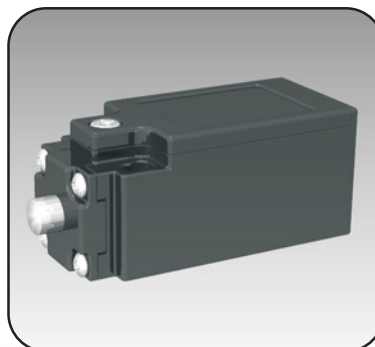
The **886 FLSB Mtrx light mounting bracket** is designed to be fastened to Mtrx and Streamline frames of various widths while retaining the capability of adjusting the position of the light in depth. Sheetmetal finished textured dark gray RAL7011. Supplied with all installation hardware.



CATALOG NUMBER	FIT IN CABINET WIDTH (mm)
886 FLSB06	600
886 FLSB07	700
886 FLSB08	800
886 FLSB10	1000
886 FLSB12	1200
886 FLSB16	1600

Remote door switch - Series RDS

The **886 RDS remote door switch** is a robust solution to power on/off a light within an enclosure. The switch is designed to operate on all Mtrx doors and side doors, with or without stiffeners. Consists of switch, mounting bracket and hardware.



CATALOG NUMBER	SHIP WGHT LBS.
886 RDS	1

Data subject to change without notice.