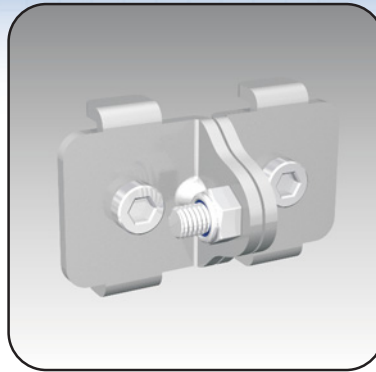


Standard joining brackets

The 6500 MXJO1 standard joining brackets are used to join Mtrx modular cabinet arrangements. The cabinets are fastened using brackets linked by a carriage bolt and a nut. Two cage nuts which fit the cabinet frame and two screws secure the brackets. The 6500 MXJO1 consists of six sets of brackets with installation hardware.

Note: If required, joining gasket is ordered separately.

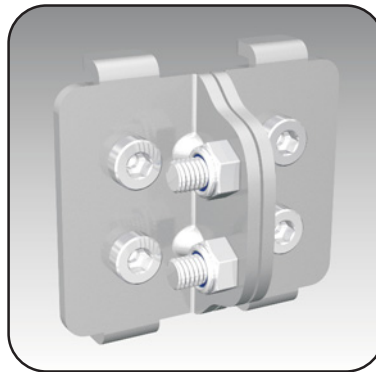


CATALOG NUMBER	DESCRIPTION
6500 MXJO1	Joining brackets

Heavy duty joining brackets

The 6500 MXJO2 joining brackets are used to join heavy Mtrx modular cabinet arrangements. The cabinets are fastened using brackets linked by two carriage bolts and two nuts. Four cage nuts which fit the cabinet frame and four screws secure the bracket. The 6500 MXJO2 consists of six sets of brackets with installation hardware.

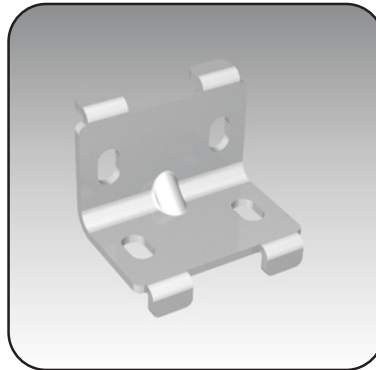
Note: Joining gasket is ordered separately.



CATALOG NUMBER	DESCRIPTION
6500 MXJO2	Joining brackets

Reinforcement brackets

The 6500 MXJO3 reinforcement brackets are used in conjunction with a joining kit (see above) to fasten particularly heavy cabinet assemblies. These 'L' shaped brackets are installed in the corners of the cabinets. The 6500 MXJO3 consists of four brackets and all the required installation hardware.



CATALOG NUMBER	DESCRIPTION
6500 MXJO3	Reinforcement brackets

Joining gasket

The 6500 MXJ04 joining gasket kit is used in conjunction with a joining bracket kit (see previous page) to maintain the cabinets environmental integrity. One size fits all.



CATALOG NUMBER	DESCRIPTION
6500 MXJ04	Joining gasket

MX/SL
COMPATIBLE

Data subject to change without notice.

Light duty joining brackets

The 6500 MXJ05 light duty joining brackets are used to join Mtrx modular cabinets once they are being joined at their final on site location.

Note: These joining brackets are not to be used where line-ups are to be transported in one piece.



CATALOG NUMBER	DESCRIPTION
6500 MXJ05	Light duty joining brackets

External / Internal rapid joining brackets

The 6500 MXJ06 external and internal rapid joining brackets are an alternative in joining cabinets from the outside with minimal rework or from the inside with no added hardware.

Note: These joining brackets are not to be used where line-ups are to be transported in one piece.



CATALOG NUMBER	DESCRIPTION
6500 MXJ06	External / Internal rapid joining brackets

MX/SL
COMPATIBLE

Joining panel

The 6500 MXMJ joining panel is installed between adjacent mounting panels of cabinets (6500 MXM) being joined together in order to provide one continuous and removable mounting surface within the full height and width of the line-up.

Note: Adjacent inner panels are required to be installed 25mm forward to accommodate.



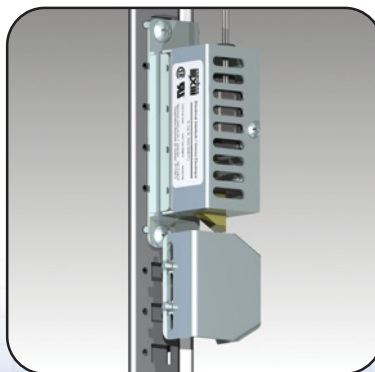
CATALOG NUMBER	FITS CABINET WIDTH (MM)
6500 MXMJ07	700
6500 MXMJ14	1400
6500 MXMJ16	1600
6500 MXMJ18	1800
6500 MXMJ20	2000
6500 MXMJ22	2200

Add suffix 'W' For panel painted white RAL9003

Electrical interlock kits

The 6500 MXEI electro-mechanical interlock kits are used to restrict access to the enclosure volume while the power is on. The kits are compatible with all cabinet sizes.

Note: All mounting h/w and instructions supplied in kits. CSA /UR.



CATALOG NUMBER	Voltage
6500 MXEI1115	115V
6500 MXEI1230	230V
6500 MXEI1460	460V

Data subject to change without notice.

