

Top mount air conditioner - 5000 to 6000 BTU

The IQ5000T top mount air conditioners are used to reduce heat accumulation within enclosures and maintain a safe operating temperature.

These units use closed-loop cooling technology, which removes heat without letting outside air into the sealed enclosure. All units feature a digital programma-

ble temperature controller with an alarm. The air conditioners feature a rugged 16 GA welded steel, dent resistant cabinet construction. The units have a space saving aesthetic cabinet design. The units are powered by an efficient, quiet and long lasting rotary compressor, with a CFC-free refrigeration system.

All units are factory tested and are designed to mount on the top of an enclosure, while maintaining NEMA 12 integrity. Units are ANSI/ASA 61 gray or brushed stainless steel.

UL / ULc Listed

NEMA/EEMAC 12 / IP54

Steel units: NEMA 4 w/N4GK kit

SS units: NEMA 4X w/N4GK kit

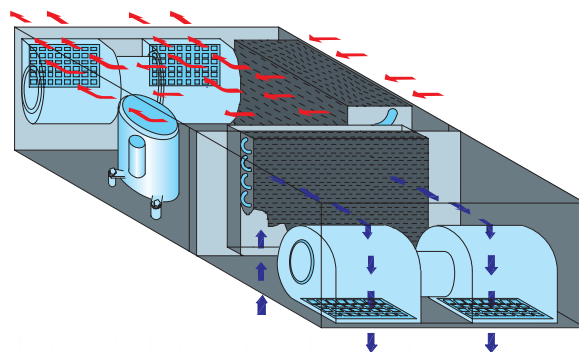
FEATURES

- Digital temperature controller with alarm
- Durable 16 gauge welded steel construction
- Also available in stainless steel
- Easy pull-out filter
- Efficient, quiet and long lasting rotary compressor
- CFC-free refrigeration System
- Space saving aesthetic cabinet design
- 100% factory tested
- Designed to mount on side of enclosure while maintaining NEMA type 12, 4 or 4X integrity



IQ 5000 T
IQ 6000 T

AIR FLOW DIAGRAM



← Conditioned Enclosure Air Flow

← Ambient Air Flow



IQ 5000 T SS
IQ 6000 T SS

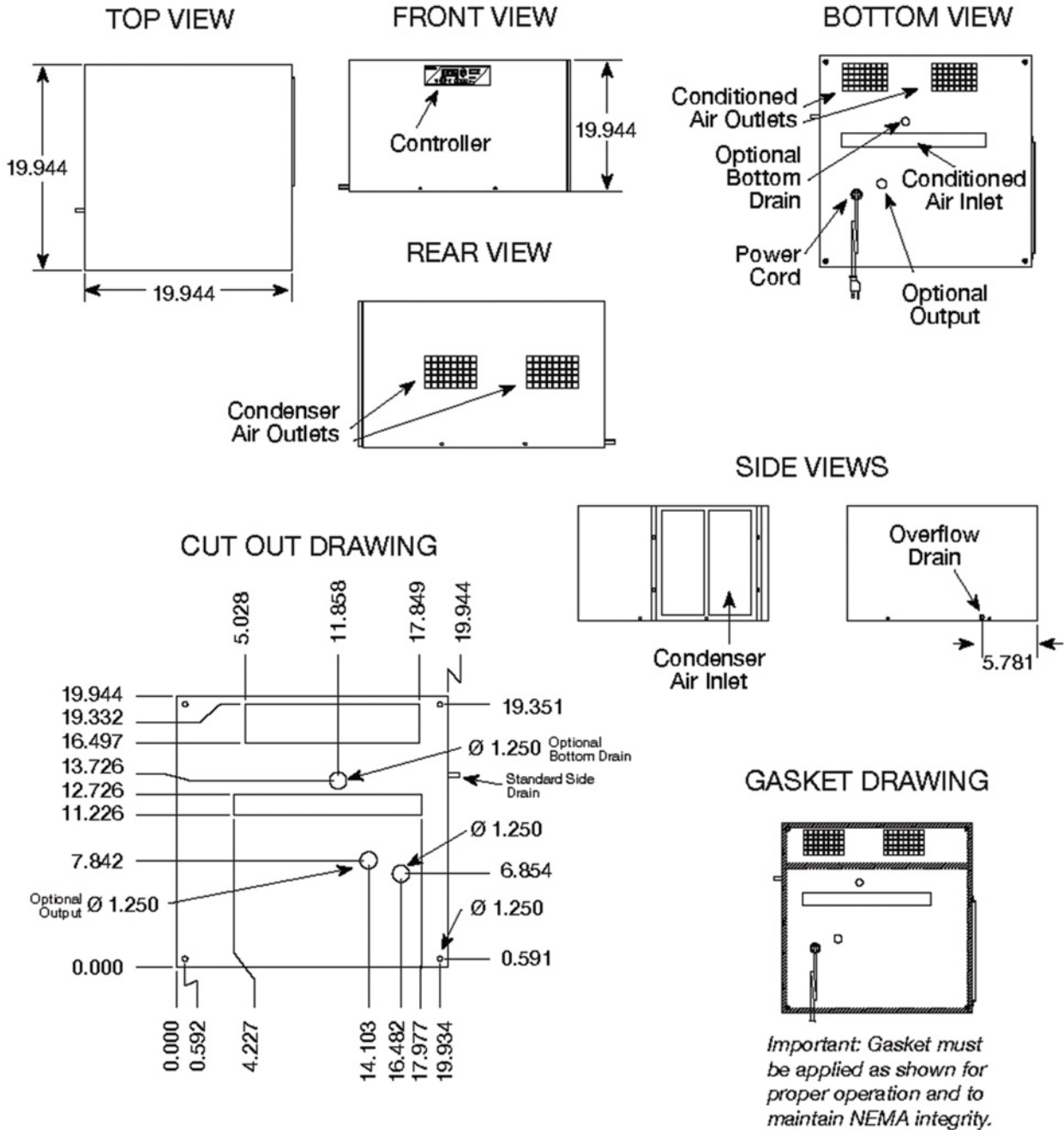
Data subject to change without notice.

Washdown Hoods	N4GK NEMA 4/4X Gasket Kit	Ambient Corrosive Package	External Alarms Audible & Visual	Heating & Low Ambient Packages	Remote IQ-X Controller	ICENET Remote Control Package
p.492	p.594	p.594	p.594	p.594	p.594	p.594

1-800-363-2423 Fax : 450-979-4626 info@exmweb.com

Top mount air conditioner - 5000 to 6000 BTU

CATALOG NUMBER		BTU /HR	VOLTS /HZ	MAX. AMPS	MAX. TEMP	DIMENSIONS			SHIP WGT LBS.
MILD STEEL	STAINLESS STEEL					H	W	D	
IQ5000T-126	IQ5000T-126-SS	5000	120/60	8.9	125°F	12.06	19.94	19.94	75
IQ5000T-236	IQ5000T-236-SS	5000	230/60	4.5	125°F	12.06	19.94	19.94	75
IQ5000T-236	IQ5000T-236-SS	5000	220/50	4.2	125°F	12.06	19.94	19.94	75
IQ6000T-126	IQ6000T-126-SS	6000	120/60	10.3	125°F	12.06	19.94	19.94	75
IQ6000T-236	IQ6000T-236-SS	6000	230/60	5.2	125°F	12.06	19.94	19.94	75
IQ6000T-236	IQ6000T-236-SS	6000	220/50	5.7	125°F	12.06	19.94	19.94	75



Drawings are for illustration purposes only. Data is subject to change.

Data subject to change without notice.