

Slim vertical mount air conditioner - 3800 to 4000 BTU

The **IQ3800VS** slim vertical mount air conditioners are used to reduce heat accumulation within enclosures and maintain a safe operating temperature.

These units use closed-loop cooling technology, which removes heat without letting outside air into the sealed enclosure. All units feature a digital programmable temperature controller with an

alarm. The air conditioners feature a rugged 16 GA welded steel, dent resistant cabinet construction. The units have a space saving aesthetic cabinet design. A built-in condensate evaporation package is included. The units are powered by an efficient, quiet and long lasting rotary compressor, with a CFC-free refrigeration system. All units

are factory tested and are designed to mount on the side of an enclosure, while maintaining NEMA 12 integrity. Units are ANSI/ASA 61 gray or brushed stainless steel.

UL / ULc Listed,

NEMA/EEMAC 12 / IP54

Steel units: NEMA 4 w/N4GK kit

SS units: NEMA 4X w/N4GK kit

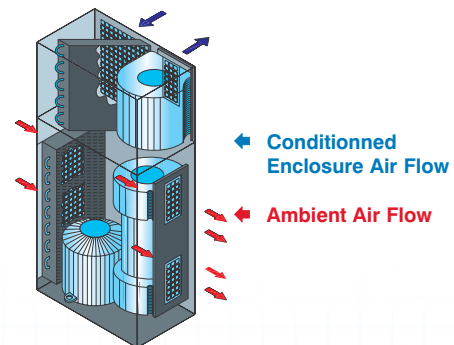
FEATURES

- Digital temperature controller with alarm
- Durable 16 gauge welded steel construction
- Also available in stainless steel
- Built in condensate evaporation package
- Easy pull-out .lter
- Efficient, quiet and long lasting rotary compressor
- CFC-free refrigeration System
- Space saving aesthetic cabinet design
- 100% factory tested
- Designed to mount on side of enclosure while maintaining NEMA type 12, 4 or 4X integrity



IQ 3800 VXS
IQ 4000 VXS

AIR FLOW DIAGRAM



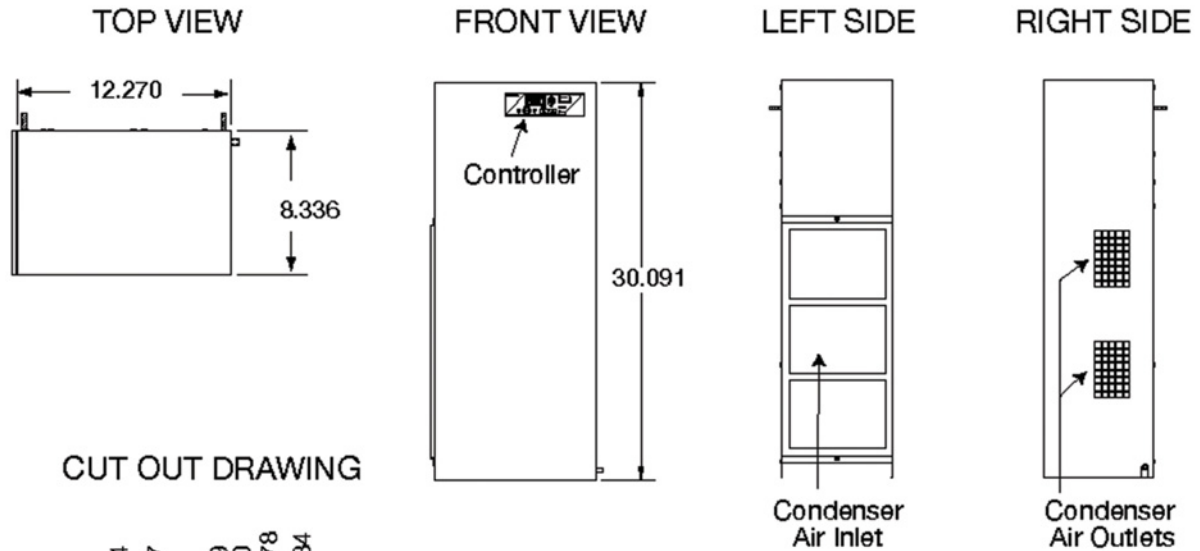
IQ 3800 VXS SS
IQ 4000 VXS SS

Data subject to change without notice.

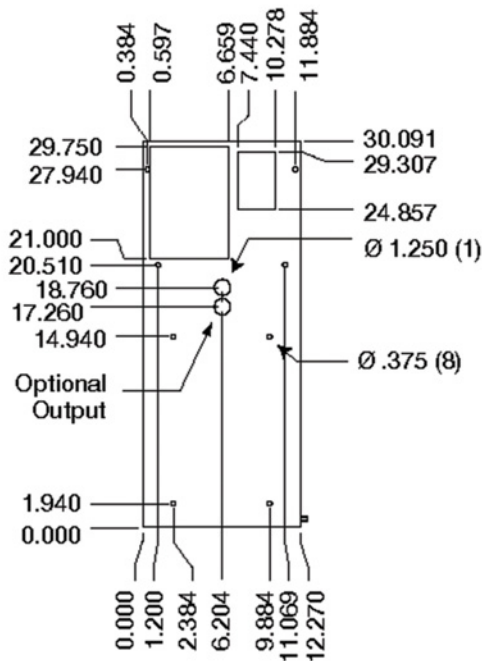
Washdown Hoods	N4GK NEMA 4/4X Gasket Kit	Ambient Corrosive Package	External Alarms Audible & Visual	Heating & Low Ambient Packages	Remote IQ-X Controller	ICENET Remote Control Package
p.492	p.594	p.594	p.594	p.594	p.594	p.594
1-800-363-2423		Fax : 450-979-4626		info@exmweb.com		

Slim vertical mount air conditioner - 3800 to 4000 BTU

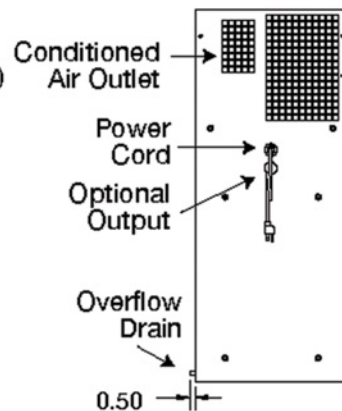
CATALOG NUMBER		BTU /HR	VOLTS /HZ	MAX. AMPS	MAX. TEMP.	DIMENSIONS			SHIP WGT LBS.
MILD STEEL	STAINLESS STEEL					H	W	D	
IQ3800VS-126	IQ3800VS-126-SS	3800	120/60	7.8	125°F	30.09	12.27	8.34	60
IQ3800VS-236	IQ3800VS-236-SS	3800	230/60	4.2	125°F	30.09	12.27	8.34	60
IQ3800VS-236	IQ3800VS-236-SS	3800	220/50	4.6	125°F	30.09	12.27	8.34	60
IQ4000VS-126	IQ4000VS-126-SS	4000	120/60	8.6	120°F	30.09	12.27	8.34	60
IQ4000VS-236	IQ4000VS-236-SS	4000	230/60	4.6	120°F	30.09	12.27	8.34	60
IQ4000VS-236	IQ4000VS-236-SS	4000	220/50	5.0	120°F	30.09	12.27	8.34	60



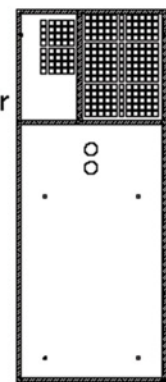
CUT OUT DRAWING



REAR VIEW



GASKET DRAWING



Important: Gasket must be applied as shown for proper operation and to maintain NEMA integrity.

Drawings are for illustration purposes only. Data is subject to change.

Data subject to change without notice.