

## Vertical mount air conditioner - 2000 to 2400 BTU

The **IQ2000VXS** vertical mount air conditioners are used to reduce heat accumulation within enclosures and maintain a safe operating temperature.

These units use closed-loop cooling technology, which removes heat without letting outside air into the sealed enclosure. All units feature a digital programmable temperature controller with an

alarm. The air conditioners feature a rugged 16 GA welded steel, dent resistant cabinet construction. The units have a space saving aesthetic cabinet design. A built-in condensate evaporation package is included. The units are powered by an efficient, quiet and long lasting rotary compressor, with a CFC-free refrigeration system. All units are factory test-

ed and are designed to mount on the side of an enclosure, while maintaining NEMA 12 integrity. Units are ANSI/ASA 61 gray or brushed stainless steel.

**UL / ULc Listed,**

**NEMA/EEMAC 12 / IP54**

**Steel units: NEMA 4 w/N4GK kit**

**SS units: NEMA 4X w/N4GK kit**

### FEATURES

- Digital temperature controller with alarm
- Durable 16 gauge welded steel construction
- Also available in stainless steel
- Built in condensate evaporation package
- Easy pull-out filter
- Efficient, quiet and long lasting rotary compressor
- CFC-free refrigeration System
- Space saving aesthetic cabinet design
- 100% factory tested
- Designed to mount on side of enclosure while maintaining NEMA type 12, 4 or 4X integrity

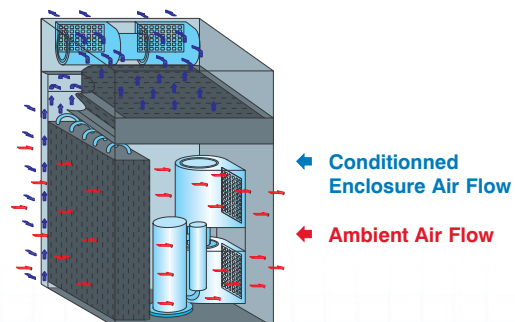


IQ 2000 VXS  
IQ 2400 VXS



IQ 2000 VXS SS  
IQ 2400 VXS SS

### AIR FLOW DIAGRAM



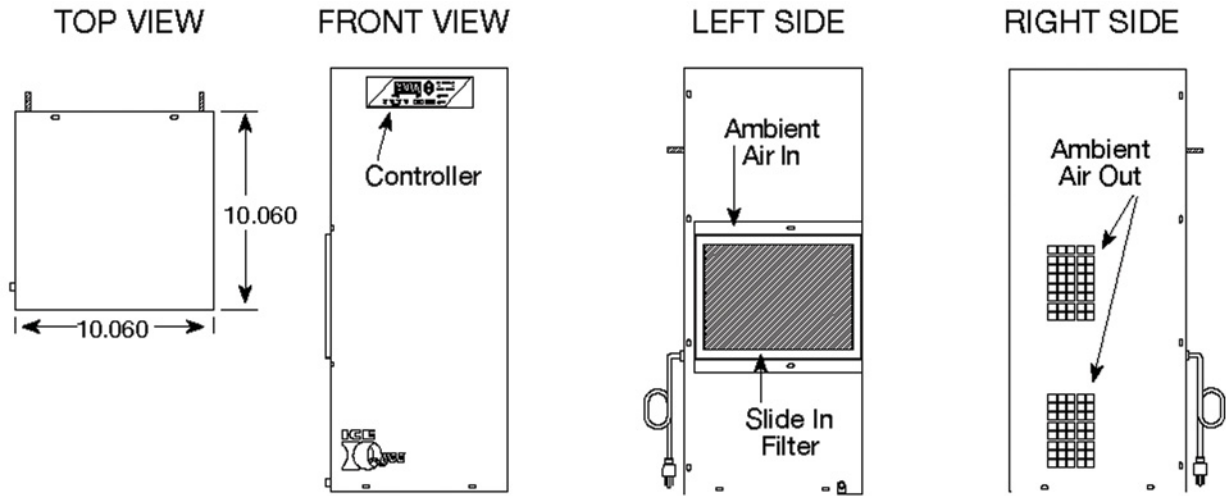
Data subject to change without notice.

Washdown Hoods	N4GK NEMA 4/4X Gasket Kit	Ambient Corrosive Package	External Alarms Audible & Visual	Heating & Low Ambient Packages	Remote IQ-X Controller	ICENET Remote Control Package
p.492	p.594	p.594	p.594	p.594	p.594	p.594

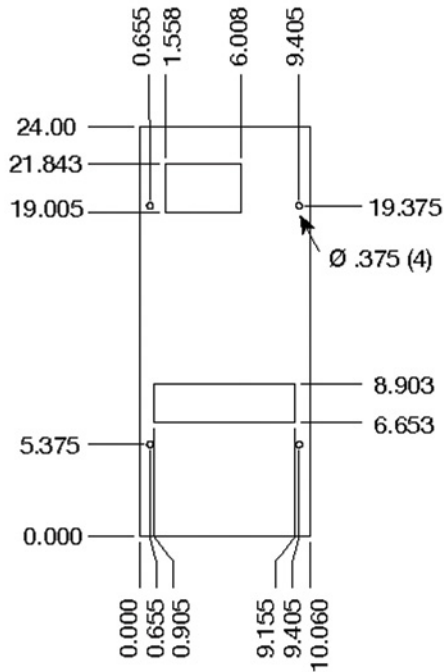
1-800-363-2423      Fax : 450-979-4626      info@exmweb.com

## Vertical mount air conditioner - 2000 to 2400 BTU

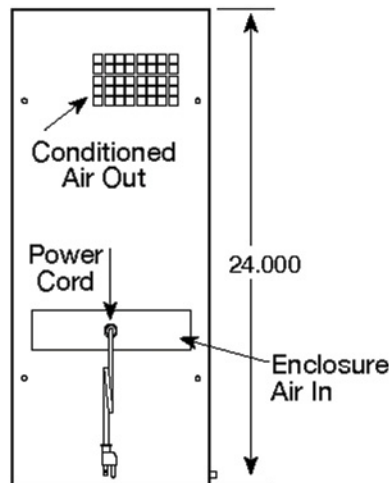
CATALOG NUMBER		BTU /HR	VOLTS /HZ	MAX. AMPS	MAX. TEMP	DIMENSIONS			SHIP WGT LBS.
MILD STEEL	STAINLESS STEEL					H	W	D	
IQ2000VXS-126	IQ1200VXS-126-SS	2000	120/60	5.6	125°F	24.00	10.06	10.06	60
IQ2000VXS-236	IQ1200VXS-236-SS	2000	230/60	2.8	125°F	24.00	10.06	10.06	60
IQ2000VXS-236	IQ1200VXS-236-SS	2000	220/50	2.9	125°F	24.00	10.06	10.06	60
IQ2400VXS-126	IQ1500VXS-126-SS	2400	120/60	7.3	125°F	24.00	10.06	10.06	60
IQ2400VXS-236	IQ1500VXS-236-SS	2400	230/60	3.8	125°F	24.00	10.06	10.06	60
IQ2400VXS-236	IQ1500VXS-236-SS	2400	220/50	4.0	125°F	24.00	10.06	10.06	60



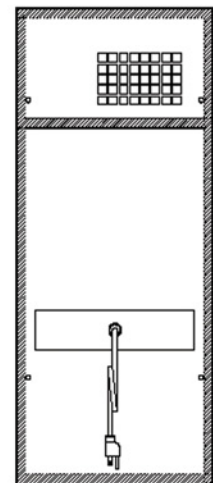
CUT OUT DRAWING



REAR VIEW



GASKET DRAWING



*Important: Gasket must be applied as shown for proper operation and to maintain NEMA integrity.*

*Drawings are for illustration purposes only. Data is subject to change.*

Data subject to change without notice.