

Slim vertical mount air conditioner - 1200 to 1800 BTU

The **IQ1200VS** slim vertical mount air conditioners are used to reduce heat accumulation within enclosures and maintain a safe operating temperature.

These units use closed-loop cooling technology, which removes heat without letting outside air into the sealed enclosure. All units feature a digital programmable temperature controller with an

alarm. The air conditioners feature a rugged 16 GA welded steel, dent resistant cabinet construction. The units have a space saving aesthetic cabinet design. A built-in condensate evaporation package is included. The units are powered by an efficient, quiet and long lasting rotary compressor, with a CFC-free refrigeration system. All units

are factory tested and are designed to mount on the side of an enclosure, while maintaining NEMA 12 integrity. Units are ANSI/ASA 61 gray or brushed stainless steel.

UL / ULc Listed,

NEMA/EEMAC 12 / IP54

Steel units: NEMA 4 w/N4GK kit

SS units: NEMA 4X w/N4GK kit

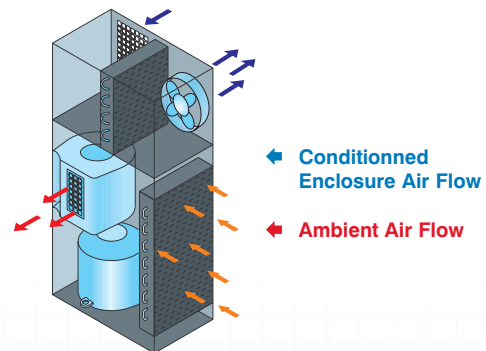
FEATURES

- Digital temperature controller with alarm
- Durable 16 gauge welded steel construction
- Also available in stainless steel
- Built in condensate evaporation package
- Easy pull-out filter
- Efficient, quiet and long lasting rotary compressor
- CFC-free refrigeration System
- Space saving aesthetic cabinet design
- 100% factory tested
- Designed to mount on side of enclosure while maintaining NEMA type 12, 4 or 4X integrity



IQ 1200 VS
IQ 1500 VS
IQ 1800 VS

AIR FLOW DIAGRAM



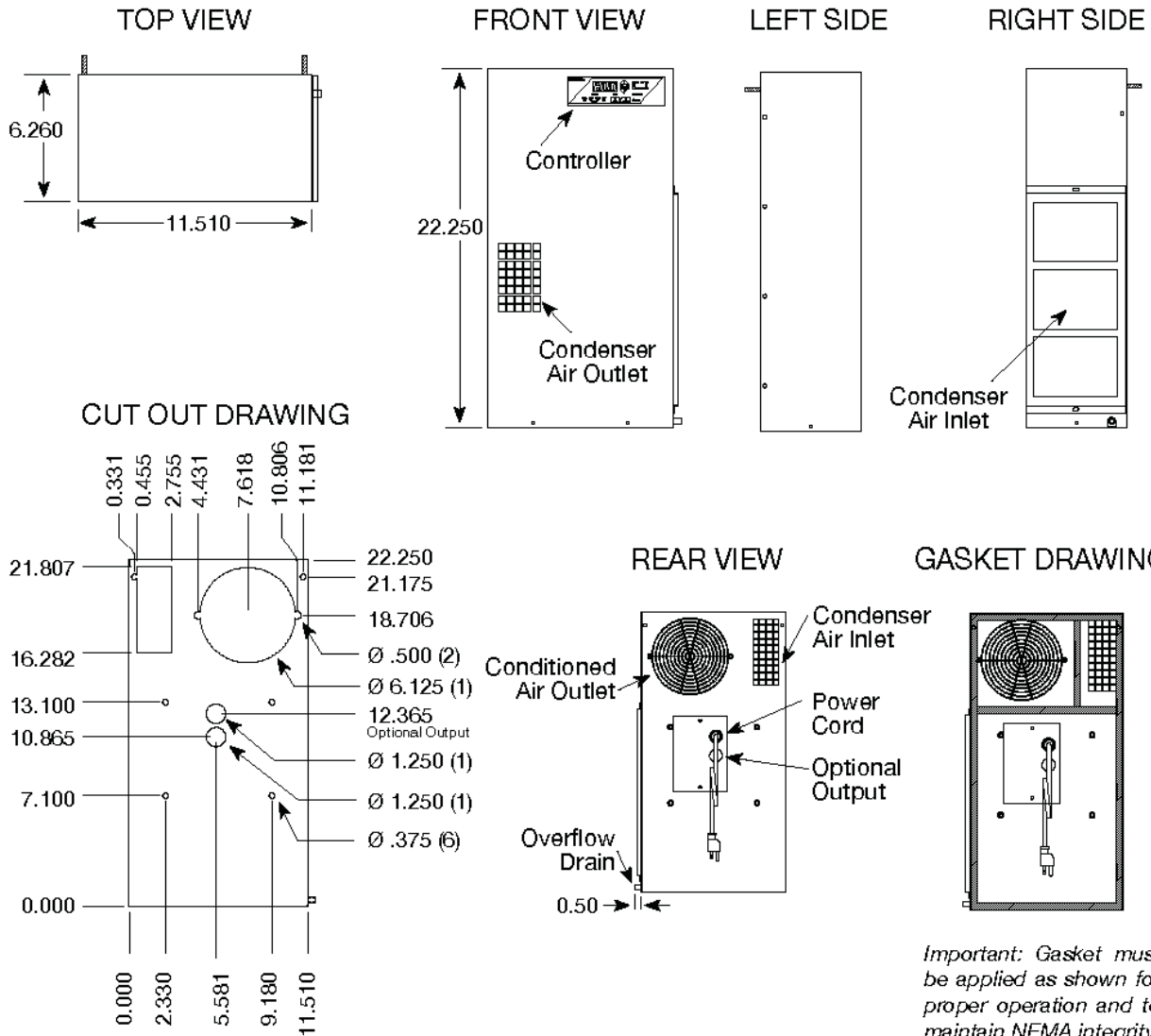
IQ 1200 VS SS
IQ 1500 VS SS
IQ 1800 VS SS

Data subject to change without notice.

Washdown Hoods	N4GK NEMA 4/4X Gasket Kit	Ambient Corrosive Package	External Alarms Audible & Visual	Heating & Low Ambient Packages	Remote IQ-X Controller	ICENET Remote Control Package
p.492	p.594	p.594	p.594	p.594	p.594	p.594

Slim vertical mount air conditioner - 1200 to 1800 BTU

CATALOG NUMBER		BTU /HR	VOLTS /HZ	MAX. AMPS	MAX. TEMP.	DIMENSIONS			SHIP WGT LBS.
MILD STEEL	STAINLESS STEEL					H	W	D	
IQ1200VS-126	IQ1200VS-126-SS	1200	120/60	4.5	125°F	22.25	11.51	6.26	42
IQ1200VS-236	IQ1200VS-236-SS	1200	230/60	2.3	125°F	22.25	11.51	6.26	42
IQ1200VS-236	IQ1200VS-236-SS	1200	220/50	2.6	125°F	22.25	11.51	6.26	42
IQ1500VS-126	IQ1500VS-126-SS	1500	120/60	4.7	125°F	22.25	11.51	6.26	42
IQ1500VS-236	IQ1500VS-236-SS	1500	230/60	2.4	125°F	22.25	11.51	6.26	42
IQ1500VS-236	IQ1500VS-236-SS	1500	220/50	2.8	125°F	22.25	11.51	6.26	42
IQ1800VS-126	IQ1800VS-126-SS	1800	120/60	5.2	125°F	22.25	11.51	6.26	42
IQ1800VS-236	IQ1800VS-236-SS	1800	230/60	2.6	125°F	22.25	11.51	6.26	42
IQ1800VS-236	IQ1800VS-236-SS	1800	220/50	3.0	125°F	22.25	11.51	6.26	42



Important: Gasket must be applied as shown for proper operation and to maintain NEMA integrity.

Data subject to change without notice.

Drawings are for illustration purposes only. Data is subject to change.