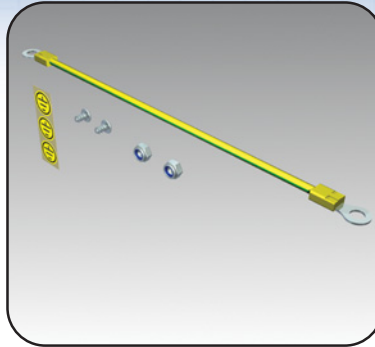


Mtrx grounding wire kit

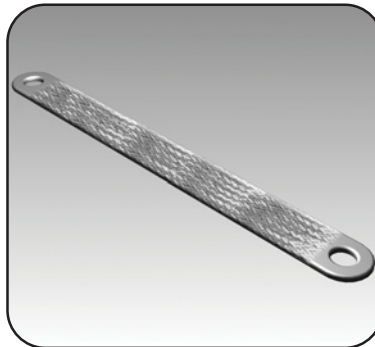
The **886 GWK Mtrx grounding wire kit** is comprised of 220mm long flexible stranded copper wires (6 mm) terminated by copper ring-tongue terminals. The sheaths are colored yellow with a green stripe. All installation hardware provided with the kit. One kit consists of 10 grounding wires.



CATALOG NUMBER	SHIP WGHT LBS.
886 GWK	1

Mtrx grounding strap kit

The **886 GSK Mtrx grounding strap kit** is comprised of 10 braided ground straps and installation hardware. Single wires are Cu ETP uncoated or tinned. Contact areas is a metal alloyed lead free solidified and pressed.

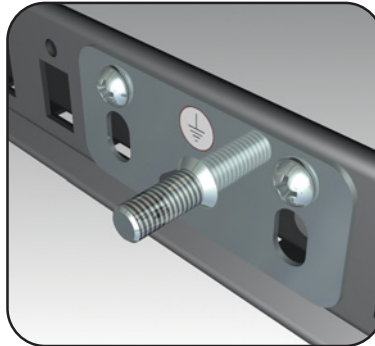


CATALOG NUMBER	CROSS SEC. (mm ²)	LENGTH (mm)
886 GSK102	10	200
886 GSK162	16	200
886 GSK252	25	200
886 GSK103	10	300
886 GSK163	16	300
886 GSK253	25	300

MX/SL
COMPATIBLE

Mtrx central frame grounding point

The **886 GFP Mtrx central frame grounding point** is designed to be fastened to Mtrx and Streamline horizontal or vertical frames throughout the enclosure. Supplied with installation hardware. Zinc plated steel bracket.



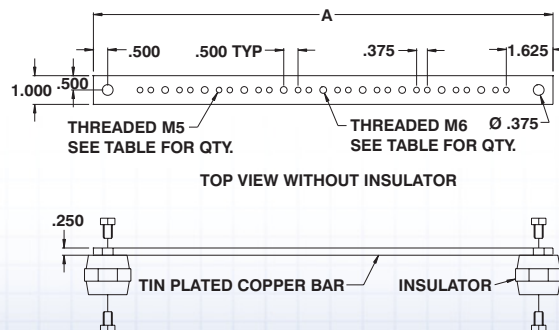
CATALOG NUMBER	Ground stud thread
886 GFP6	M6
886 GFP8	M8

For more grounding options refer to page 469.

Mtrx central frame grounding point

The **880 GB grounding bars** come in three sizes, with indoor polyamide resin insulators.

CATALOG NUMBER	A	M5	M6	SHIP WGHT LBS.
880 GB08	8	10	3	2
880 GB16	16	20	9	3
880 GB24	24	30	15	4

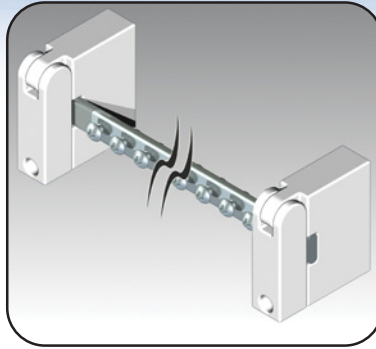


Data subject to change without notice.



Potential equalization bar kit

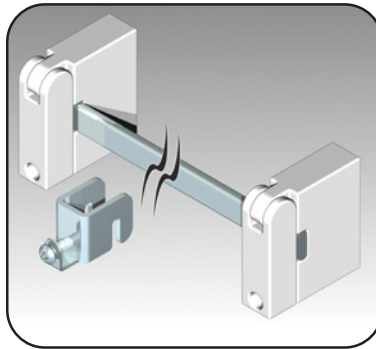
The **886 GPB potential equalization bar kit** is comprised of: (i) a 450mm long copper bar (15 x 5 mm section) with an approximate current carrying capacity of 200A; (ii) 20 connection points with M5 screws; (iii) 2 ground connections; (iv) 2 isolators and installation hardware.



CATALOG NUMBER	SHIP WGHT LBS.
886 GPB	1

Potential equalization rail kit

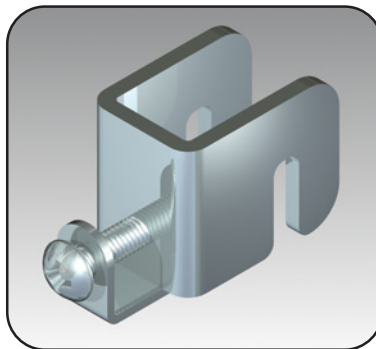
The **886 GPR potential equalization rail kit** is comprised of: (i) a copper rail (15x5mm section) with an approximate current carrying capacity of 200A; (ii) 15 conductor connector clamps 2.5 - 16 mm²; (iii) 2 ground connections; (iv) 2 isolators and installation hardware.



CATALOG NUMBER	NOMINAL CABINET DIM. (MM)	ACTUAL BAR LENGTH (MM)
886 GPR06	600	400
886 GPR07	700	500
886 GPR08	800	600
886 GPR09	900	700
886 GPR10	1000	800
886 GPR12	1200	1000
886 GPR14	1400	1200
886 GPR16	1600	1400
886 GPR18	1800	1600
886 GPR20	2000	1800
886 GPR22	2200	2000

Ground rail conductor connector clamp kit

The **886 GPRC ground rail conductor connector clamp kit** is comprised of 15 conductor connector clamps 2.5 - 16mm.



CATALOG NUMBER	SHIP WGHT LBS.
886 GPRC	1

Touch up paint

The **880 P touch up spray paint cans** are exact color match enamel paints in 12 oz. spray cans. They are sold in packs of 6 cans.

- 880 PGL:** Used for outer panels
- 880 PSG:** Used for frame
- 880 PTC:** Used for outer panels on older cabinets



CATALOG NUMBER	COLOR	PACKS OF
880 PGL	RAL7035 - light gray	6
880 PSG	RAL7011 - gray	6
880 PTC	RAL7032 - beige	6
880 PTK	RAL9005 - black	6

Additional colors are available on page 462.

Data subject to change without notice.