

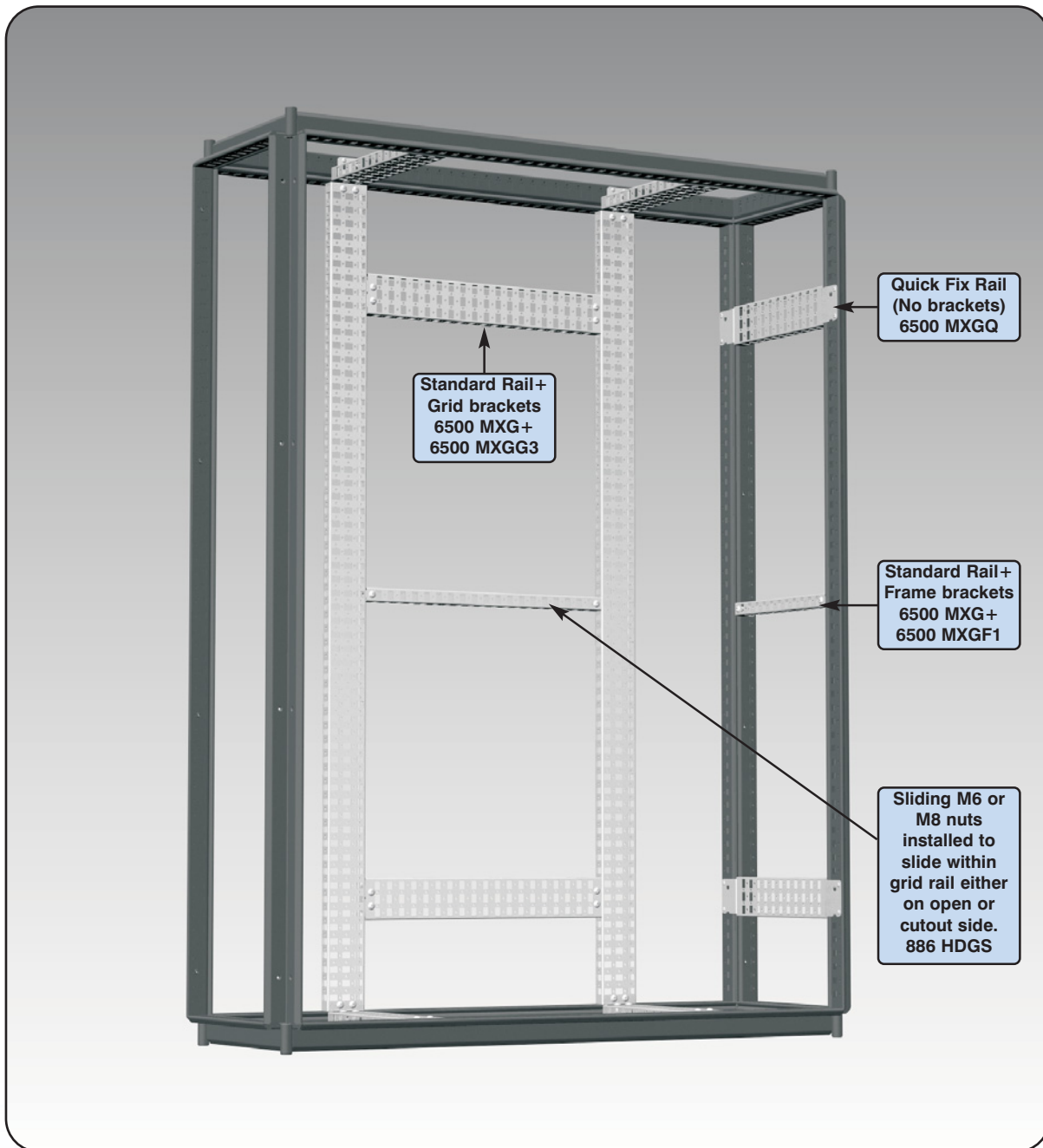
Grid rail system

The 6500 MXG grid rail system is used to expand the mounting capabilities of Mtrx cabinets. Grid rails can be installed horizontally or vertically, anywhere within the cabinet frame, using separately ordered installation brackets.

Two types of brackets are available. To mount grid rails to the cabinet frame, order the 6500 MXGF brackets. To mount grid rails to other rails, order the 6500 MXGG brackets. Quick fix rails, which do not require installation brackets, are

also available. The 6500 MXGQ quick fix rails can only be installed on the cabinet sides, along the cabinet's depth. Instruments can be installed on the rails using the self-tapping screws, cage nuts or sliding nuts, which can be ordered separately.

MX/SL
COMPATIBLE

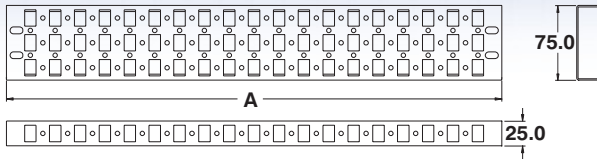


Data subject to
change without
notice.

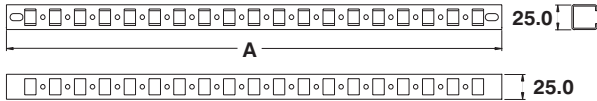
NEMA 12-13 Mtrx RAILS & CABLE CLAMPS 6500 MXG

Standard grid rails

THREE HOLE GRID RAILS



ONE HOLE GRID RAILS



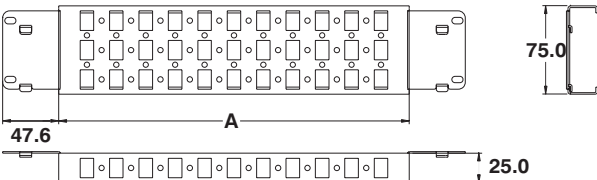
The grid rails below require installation brackets:
 6500 MXGF1 Grid-to-frame installation brackets (1 hole)
 6500 MXGF3 Grid-to-frame installation brackets (3 holes)
 6500 MXGG1 Grid-to-grid installation brackets (1 hole)
 6500 MXGG3 Grid-to-grid installation brackets (3 holes)

NOMINAL		CATALOG NUMBER	
W	A	ONE HOLE	THREE HOLES
400	298	6500 MXG104	6500 MXG304
500	398	6500 MXG105	6500 MXG305
600	498	6500 MXG106	6500 MXG306
700	598	6500 MXG107	6500 MXG307
800	698	6500 MXG108	6500 MXG308
900	798	6500 MXG109	6500 MXG309
1000	898	6500 MXG110	6500 MXG310
1200	1098	6500 MXG112	6500 MXG312
1400	1298	6500 MXG114	6500 MXG314
1600	1498	6500 MXG116	6500 MXG316
1800	1698	6500 MXG118	6500 MXG318
2000	1898	6500 MXG120	6500 MXG320
2200	2098	6500 MXG122	6500 MXG322

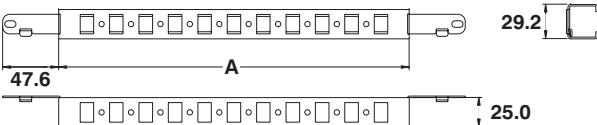
MX/SL
COMPATIBLE

Quick fix grid rails

THREE HOLE GRID RAILS



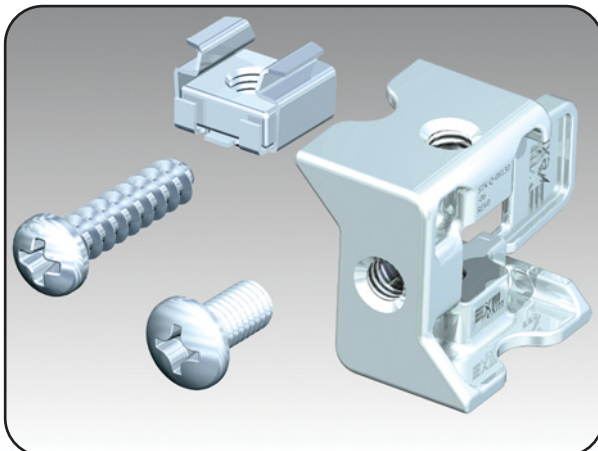
ONE HOLE GRID RAILS



The quick fix grid rails below **do not** require installation brackets. They can only be installed on the cabinet's sides, along the cabinet's depth.

NOMINAL		CATALOG NUMBER	
D	A	ONE HOLE	THREE HOLES
400	298	6500 MXGQ104	6500 MXGQ304
500	398	6500 MXGQ105	6500 MXGQ305
600	498	6500 MXGQ106	6500 MXGQ306
800	698	6500 MXGQ108	6500 MXGQ308
900	798	6500 MXGQ109	6500 MXGQ309

Hardware for grid rails



The hardware below is compatible with standard grid rails (6500 MXG) and quick fix grid rails (6500 MXGQ). Other types of screws and nuts are available on p.148.

CATALOG NUMBER	DESCRIPTION	PACKS OF
880 HDFM06	M6 front inserted clip nuts	100
880 HDFM08	M8 front inserted clip nuts	100
880 HDPM08	M8 standard clip nuts	100
880 HDP3118	5/16"-18 standard clip nuts	100
880 HDMM06	M6, 12mm machine screws	100
880 HDMM08	M8, 25mm machine screws	50
880 HDM3118	5/16"-18, 1" machine screws	50
880 HDT10	#10, 1/2" self-tapping screws	100
886 HDGS06	M6 sliding nut (rotate or slide in place)	20
886 HDGS08	M8 sliding nut (rotate or slide in place)	20

Refer to hardware section p.472 for detailed image of clip nut types and applications.

(*) sliding nuts can be installed in both standard and quick fix grid rails, either facing the cutout or open side of the rail

Data subject to change without notice.

