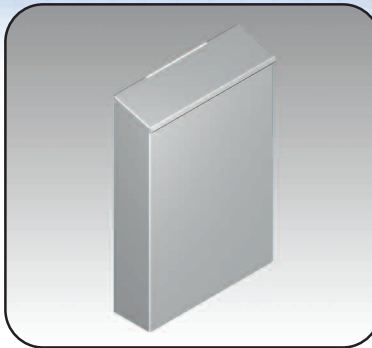


## External print pocket with lid

The 886 PPEX External print pockets with lid are made of 16GA steel and can be installed on any outside enclosure surface. The print pockets will accommodate standard B size binders either vertically or horizontally. Knockouts are supplied to mount an optional padlockable pull down hasp. Finish is light gray RAL7035 heat fused polyester powder.



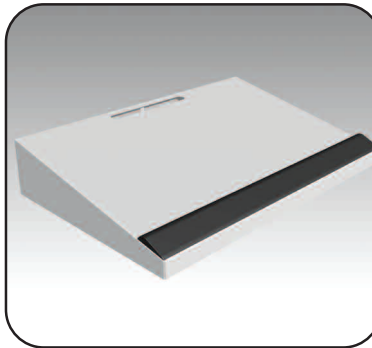
CATALOG NUMBER	DIMENSIONS (mm)		
	H	W	D
886 PPEXV	460	305	90
886 PPEXH	330	445	90

**NOTE:** Supplied with mounting hardware, however may require drilling holes for installation

**MX/SL**  
COMPATIBLE

## External keyboard tray

The 886 KBEX External keyboard trays are made of 16GA steel and can be installed on any outside enclosure surface. The external tray is designed to accommodate standard keyboard and mouse sizes. Finish is light gray RAL7035 heat fused polyester powder.

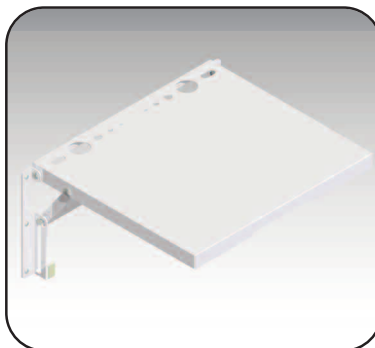


CATALOG NUMBER	DIMENSIONS (mm)		
	H	W	D
886 KBEX06	320	500	90

**NOTE:** Supplied with mounting hardware, however may require drilling holes for installation

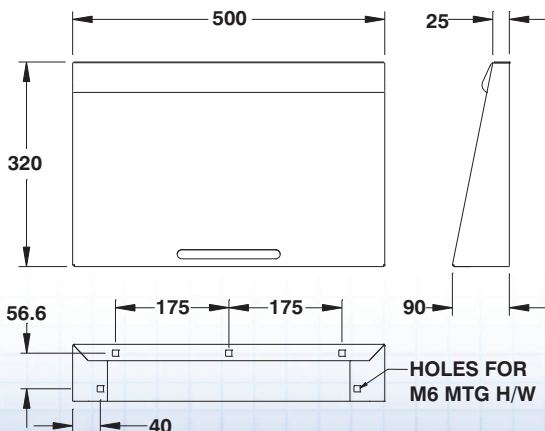
## Low profile folding shelf – External or Internal

The 886 FSX Low profile folding shelves are made of 16GA steel and can be installed inside on the mtrx modular cabinet door stiffeners. Usable depth of shelf is 400mm. Finish is light gray RAL7035 heat fused polyester powder.

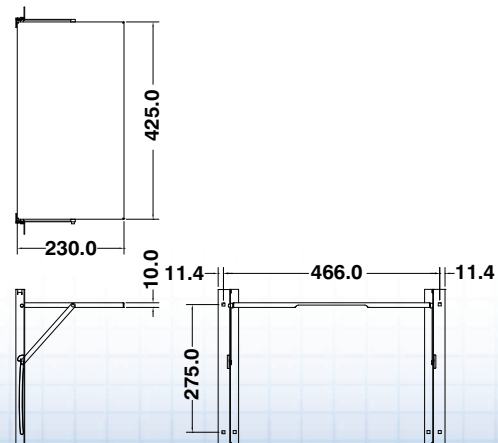


CATALOG NUMBER	SHELF (mm) WIDTH	FITS CABINET WIDTHS
886 FSX06	436	600, 1200
886 FSX07	536	700
886 FSX08	636	800, 1600, 1800
886 FSX09	736	900
886 FSX10	836	1000

886 KBEX drawing



886 FSX drawing



Data subject to change without notice.