

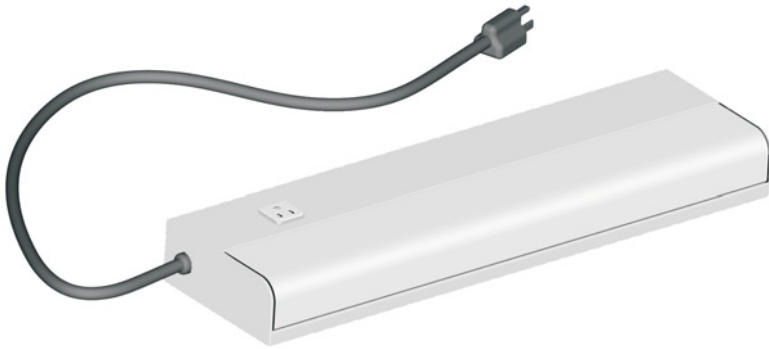
LIGHTS & LIGHTING ACCESSORIES

Enclosure lights - Series 880 FLPW

The **880 FLPW** fluorescent light packages are designed to illuminate the interiors of small to large enclosures. They are provided with an on/off switch, a 115 V power outlet and an 8 foot cord without a plug. They are powered

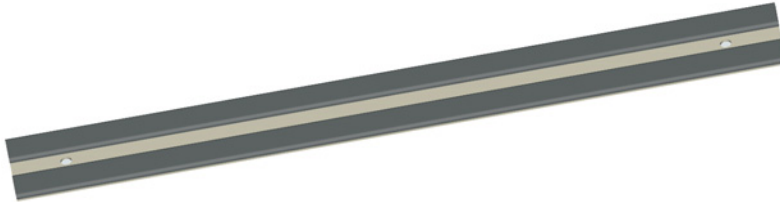
by 120V voltage. The lighting packages mount on 1/4-20 bolts and are available in lengths of 18", 24", 36" and 48". The 880 FLPW can also be mounted using the optionally available magnet kit (880 FLM). A remote door switch

(88x FLRDS) can also be ordered separately to turn the light on and off as the door is opened and closed. Please note that the fluorescent light bulb is not included and must be ordered separately.



CATALOG NUMBER	LENGHT	SHIP WGHT LBS.
880 FLPW18	18"	8
880 FLPW24	24"	10
880 FLPW36	36"	16
880 FLPW48	48"	20

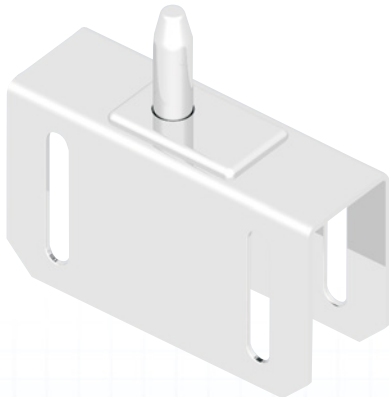
Magnet kit for 880 FLPW - Series 880 FLM



CATALOG NUMBER	LENGHT	SHIP WGHT LBS.
880 FLM18	18"	3
880 FLM24	24"	4
880 FLM36	36"	5
880 FLM48	48"	6

Note : Magnet does not adhere to stainless steel.

Remote door switch - Series FLRDS



For use with 'ES' series enclosures:

CATALOG NUMBER	SHIP WGHT LBS.
881 FLRDS	1

For use with Mtrx modular cabinets:

CATALOG NUMBER	SHIP WGHT LBS.
886 FLRDS	1

For use with 'DDS' double door cabinets and 9000 series cabinets:

CATALOG NUMBER	SHIP WGHT LBS.
889 FLRDS	1

Data subject to change without notice.