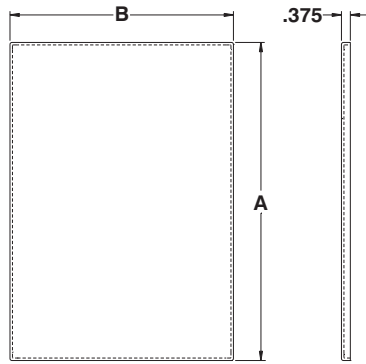


GLAND PLATES

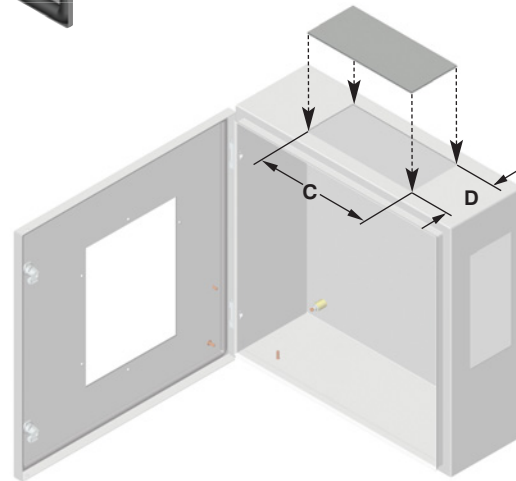
Concealed access cable entry

The **880 GP** are designed to be used as cable entry plates. Gland plates come with concealed mounting hardware that doesn't permit access from outside the enclosure. Plates are finished with ANSI/ASA 61 gray heat fused polyester powder, electrostatically applied on a pretreated base. (other colors available).

CSA Certified / UL Listed
NEMA/EEMAC 4-12 / IP66



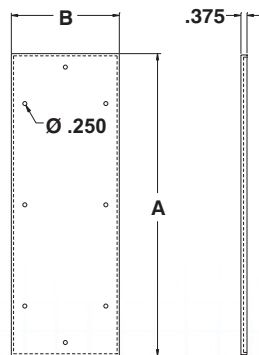
| CATALOG NUMBER | DIMENSIONS | | | | SHIP WGHT LBS. |
|----------------|------------|------|----|----|----------------|
| | A | B | C | D | |
| 880 GP1005 | 10.5 | 5.5 | 9 | 4 | 1 |
| 880 GP1007 | 10.5 | 7.5 | 9 | 6 | 2 |
| 880 GP1009 | 10.5 | 9.5 | 9 | 8 | 2 |
| 880 GP1011 | 10.5 | 11.5 | 9 | 10 | 2 |
| 880 GP1015 | 10.5 | 15.5 | 9 | 14 | 3 |
| 880 GP1805 | 18.5 | 5.5 | 17 | 4 | 2 |
| 880 GP1807 | 18.5 | 7.5 | 17 | 6 | 3 |
| 880 GP1809 | 18.5 | 9.5 | 17 | 8 | 3 |
| 880 GP1811 | 18.5 | 11.5 | 17 | 10 | 4 |
| 880 GP1815 | 18.5 | 15.5 | 17 | 14 | 5 |



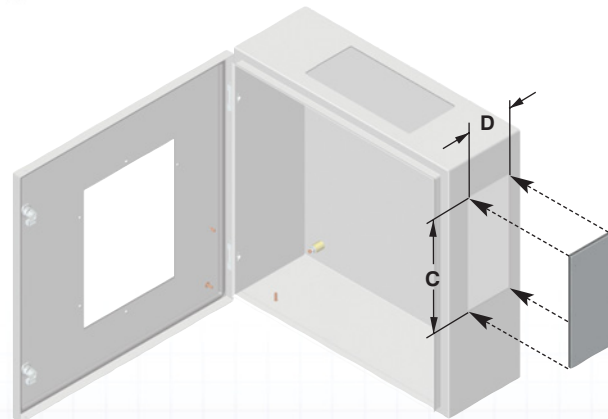
Screw-on cable entry

The **880 GPS** are designed to be used as cable entry plates. Gland plates are retained with screws from the outside of the enclosure. Plates are finished with ANSI/ASA 61 gray heat fused polyester powder, electrostatically applied on a pretreated base. (other colors available).

CSA Certified / UL Listed
NEMA/EEMAC 4-12 / IP66



| CATALOG NUMBER | DIMENSIONS | | | | SHIP WGHT LBS. |
|----------------|------------|------|----|----|----------------|
| | A | B | C | D | |
| 880 GPS1006 | 10.5 | 6.5 | 8 | 4 | 1 |
| 880 GPS1008 | 10.5 | 8.5 | 8 | 6 | 2 |
| 880 GPS1010 | 10.5 | 10.5 | 8 | 8 | 2 |
| 880 GPS1012 | 10.5 | 12.5 | 8 | 10 | 3 |
| 880 GPS1016 | 10.5 | 16.5 | 8 | 14 | 3 |
| 880 GPS1806 | 18.5 | 6.5 | 16 | 4 | 2 |
| 880 GPS1808 | 18.5 | 8.5 | 16 | 6 | 3 |
| 880 GPS1810 | 18.5 | 10.5 | 16 | 8 | 4 |
| 880 GPS1812 | 18.5 | 12.5 | 16 | 10 | 4 |
| 880 GPS1816 | 18.5 | 16.5 | 16 | 14 | 6 |



Data subject to change without notice.