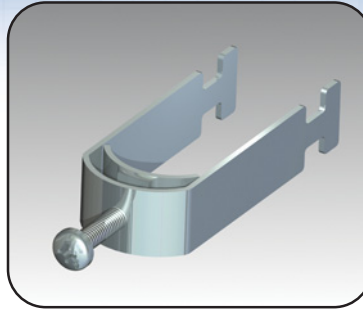


C-rail cable clamps

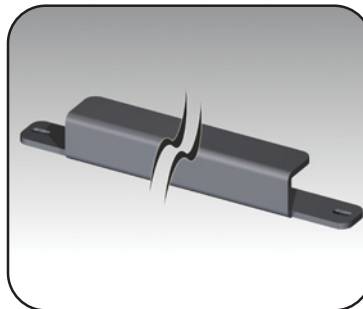
The **886 UB** cable clamps for **C-rail** are used in conjunction with small C-rails for strain relieving cables. (Pack of 10)
i.e.: 6500 MXCRAIL...S



CATALOG NUMBER	DESCRIPTION Cable diameter (mm)
886 UB6-14	6-14
886 UB12-18	12-18
886 UB18-22	18-22
886 UB38-42	38-42
886 UB42-50	42-50
886 UB50-64	50-64

L-type cable collection rail

The **6500 MXLRAIL** cable collecting rail kit is used to fasten cable clamps (886 UZ type) in order to provide strain relief prior to making connections to equipment. The collecting rail kit includes all installation hardware and is mounted directly onto the frame or optional grid rails.

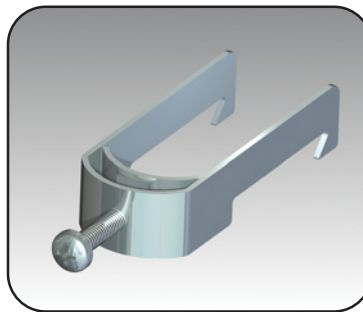


CATALOG NUMBER	FITS CABINET WIDTH (MM)
6500 MXLRAIL04	400
6500 MXLRAIL06	600
6500 MXLRAIL07	700
6500 MXLRAIL08	800
6500 MXLRAIL09	900
6500 MXLRAIL10	1000

MX/SL
COMPATIBLE

L-rail cable clamps

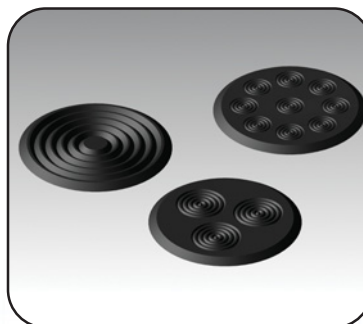
The **886 UZ** cable clamps for **L-rail** are used in conjunction with L-rails for strain relieving cables. (Pack of 10)



CATALOG NUMBER	DESCRIPTION Cable diameter (mm)
886 UZ6-12	6-12
886 UZ12-16	12-16
886 UZ14-18	14-18
886 UZ18-22	18-22
886 UZ22-26	22-26
886 UZ26-30	26-30
886 UZ30-34	30-34
886 UZ34-38	34-38
886 UZ38-42	38-42
886 UZ42-46	42-46
886 UZ46-50	46-50

Cable entry grommet

The **886 US** cable entry grommets are used in conjunction with cable entry gland plates (886 GPCE0602 p.57). These offer extra protection from cables entering the cabinet via the base cover. Retrofit directly onto standard gland plate provisions.



CATALOG NUMBER	DESCRIPTION – Cut-away for cable diameter (mm)
886 US8	QTY 8 OF MAX 13mm
886 US3	QTY 3 OF MAX 21mm
886 US1	QTY 1 OF MAX 47mm

Data subject to
change without
notice.