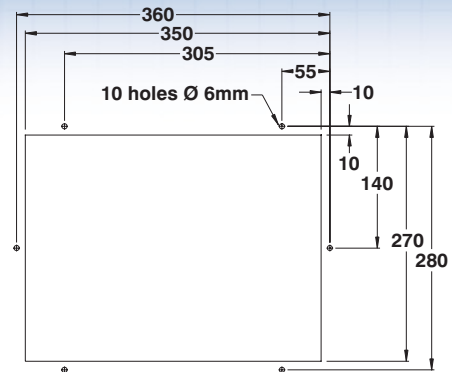


FILTER FANS

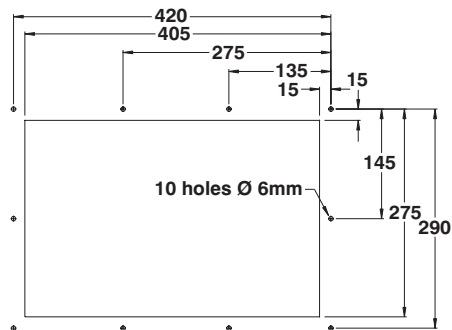
Exhaust radial fans, top application

Quick Features :

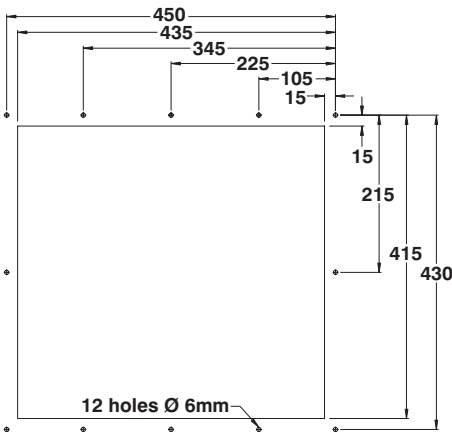
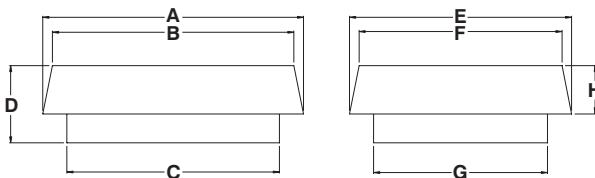
- Housing made of painted steel
- Finish is RAL 7035, Light gray
- Operating temp. : -20°C-55°C
- Protection degree : IP44
- CE



TB19000 & TB22000



TB25000



TB35000

CATALOG NUMBER	DIMENSIONS (mm)							
	A	B	C	D	E	F	G	H
TB19000220	460	420	380	108	380	340	300	60
TB19000222	460	420	380	108	380	340	300	60
TB22000220	460	420	380	108	380	340	300	60
TB22000222	460	420	380	108	380	340	300	60
TB25000200	540	500	440	160	400	360	320	100
TB35000200	600	540	480	300	550	490	470	190

CATALOG NUMBER	VOLTAGE/FREQUENCY	WATTAGE	AIR VOLUME	NOISE LEVEL	CORRESPONDING FILTERS	SHIPPING WEIGHT
TB19000220	230 / 50-60	80	575m ³ /h	62dB(A)	1 X GKF25	16
TB19000222	115 / 50-60	80	575m ³ /h	62dB(A)	1 X GKF25	16
TB22000220	230 / 50-60	85	860m ³ /h	70dB(A)	1 X GKF30	20
TB22000222	115 / 50-60	85	860m ³ /h	70dB(A)	1 X GKF30	20
TB25000200	230 / 50	155	1450m ³ /h	76dB(A)	2 X GKF30	27
TB35000200	230 / 50	170	2365m ³ /h	77dB(A)	6 X GKF30	47

Data subject to change without notice.



VENTILATING

RFF 018 Roof Filter Fan 237 cfm



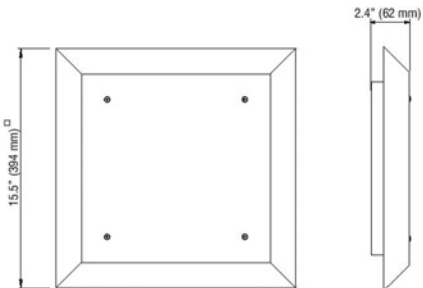
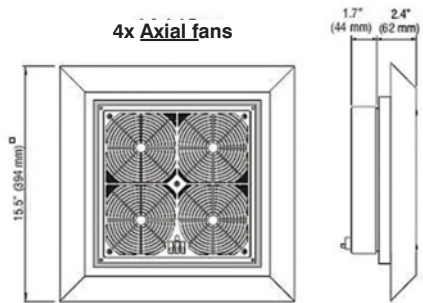
Roof Filter Fan

- Very low noise
- Minimal mounting depth
- High air volume
- Uniform air circulation
- High reliability
- Time-saving installation

Roof filter fans and roof exhaust filters are used in enclosures from which warm air must be diverted due to increased heat development. The ready-to-connect and low-noise roof filter fan is used to expel warm air from within the enclosure. Alternatively, the roof exhaust filter provides passive ventilation. The RFF 018 series utilizes **four small axial fans** instead of one large one, improving reliability and maintaining continuous operations even if one of the fans should fail.



4x Axial fans



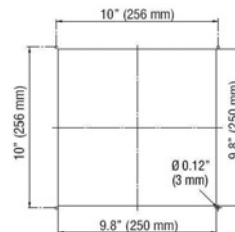
Roof Exhaust Filter

Technical Data

Axial fans, ball bearing	service life min. 50,000h at 77°F (25°C) and 65% RH aluminum fan body, plastic rotor
Connection (3-pole clamp)	AWG 14 (2.5mm ²), clamping torque 0.8Nm max.
Housing	plastic, UL 94V-0 / lacquered steel sheet, light grey
Filter mat	G3 acc. to DIN EN 779, filtering degree 85%
Filter material	synthetic fiber with progressive construction, temperature resistant to 100°C, self-extinguishing class F1; moisture resistant to 100% RH, reusable - can be cleaned by washing or vacuuming
Operating / Storage temperature	49 to +158°F (-45 to +70°C)
Protection class	I (grounded)
Protection type	IP43 (with G3 filter mat) / IP33 (without filter mat)
Approvals	UL File No. E234324

Important note: For reasons of pressure compensation, the roof filter fan must always be operated in combination with another filter fan (e.g. Part No. 01803.0-00) or a passive intake filter (e.g. Part No. 11803.0-00).

Hole centers



Enclosure cut-out

RFF 018 Roof Filter Fan

Part No.	Operating voltage	Air volume, free blowing (w/ G3 filter mat)	Air volume, free blowing (w/out filter mat)	Power consumption	Average noise level (DIN EN ISO 4871)	Mounting depth	Enclosure cut-out	Weight (approx.)
01850.0-00	230VAC, 50Hz ¹⁾	206 cfm (350m ³ /h)	294 cfm (500m ³ /h)	60W	55db (A)	1.7" (44mm)	9.8 x 9.8"	9.7 lbs. (4.40kg)
01851.0-00	120VAC, 60Hz	237 cfm (402m ³ /h)	338 cfm (575m ³ /h)	60W	55db (A)	1.7" (44mm)	9.8 x 9.8"	9.7 lbs. (4.40kg)

¹⁾ air volume increases by 15% when operating 230VAC filter fans at 60Hz

REF 118 Roof Exit Filter

Part No.	Mounting depth	Enclosure cut-out	Weight (approx.)	Filter mat	Protection type
11850.0-00	none	9.8 x 9.8"	4.4 lbs. (2.0kg)	G3 acc. to DIN EN 779, filtering degree 85%	IP43 (w/ G3 filter mat)

FM 086 Filter Mats

Filter mat	11.1 x 11.1" (282 x 282 mm)
G3 (1 packing unit = 3 pcs.)	Part No. 08613.0-00

Data subject to change without notice.