

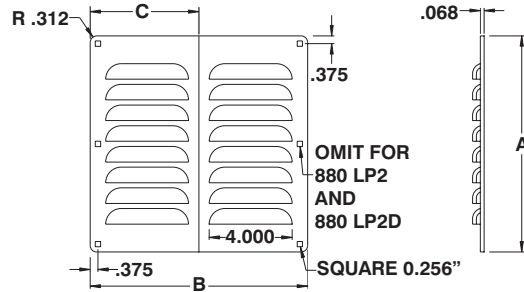
LOUVER PLATES & FILTERS

Steel louver plates

The **880 LP** steel louver plates are made from steel and are pre-punched with mounting holes. Louvers are 4" wide. Finish is ANSI/ASA 61 gray heat fused polyester powder, electrostatically applied on a phosphatized base.



CATALOG NUMBER	DIMENSIONS					No. Louv.	SHIP WGHT LBS.
	A	B	C	D	E		
880 LP2	5.500	--	5.50	4	4	4	1
880 LP3	10.437	--	5.50	8	4	8	1
880 LP4	15.312	--	5.50	12	4	12	2
880 LP2D	5.500	10.50	--	9	9	8	2
880 LP3D	10.437	10.50	--	8	9	16	2
880 LP4D	15.312	10.50	--	12	9	24	4

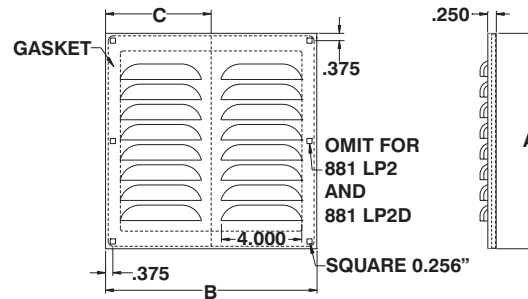


Gasketed steel louver plates

The **881 LP** steel louver plates are made from steel and are pre-punched with mounting holes. Louvers are 4" wide. A high quality robotically poured-in-place seamless gasket ensures a complete and durable seal. Finish is ANSI/ASA 61 gray heat fused polyester powder, electrostatically applied on a phosphatized base.



CATALOG NUMBER	DIMENSIONS					No. Louv.	SHIP WGHT LBS.
	A	B	C	D	E		
881 LP2	5.500	--	5.50	4	4	4	1
881 LP3	10.437	--	5.50	8	4	8	1
881 LP4	15.312	--	5.50	12	4	12	2
881 LP2D	5.500	10.50	--	9	9	8	2
881 LP3D	10.437	10.50	--	8	9	16	2
881 LP4D	15.312	10.50	--	12	9	24	4

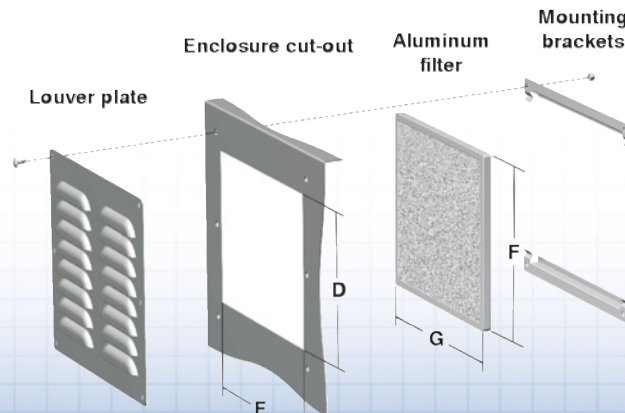


Filters for louver plates

The **880 LPF** filters for louver plates are made from aluminum and provide good trapping of airborne impurities. Impurities are stored throughout the depth of the filter. Cleaning the filter with warm water regularly will keep it constant and reliable.



CATALOG NUMBER	DIMENSIONS		SHIP WGHT LBS.
	F	G	
880 LPF2	4.250	4.250	1
880 LPF3	9.250	4.250	1
880 LPF4	14.062	4.250	1
880 LPF2D	4.250	9.250	1
880 LPF3D	9.187	9.250	1
880 LPF4D	14.062	9.250	1



Data subject to change without notice.

