

FILTER FANS

Small metal filter fan - 200mm - 178m³/h



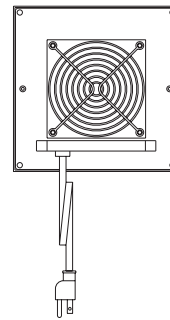
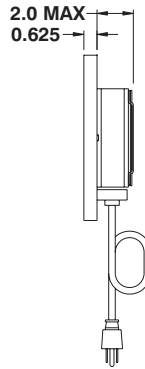
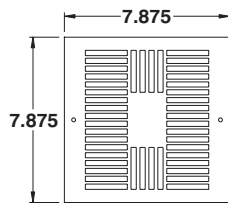
Quick Features :

- Housing made of steel or stainless steel
- The steel fans are painted black (custom colors available)
- The stainless steel fans are brushed
- The kits include the filter fan and the exhaust filter
- For use in environments where humidity is not a concern
- Permanently lubricated, ball bearing axial fan
- Electrostatically charged polypropylene filter traps particles as small as 10 microns
- Electric connection via a power cord (included)
- UL, cUL

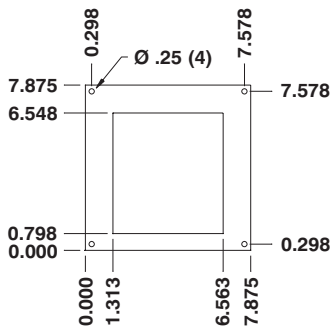
Technical Data :

Dimensions (H x W x D) : 200mm X 200mm X 51mm (imperial sizes on drawing)
 Max. operating temperature : 80°C
 Free blowing air volume : 178m³/h
 Protection degree : NEMA 1

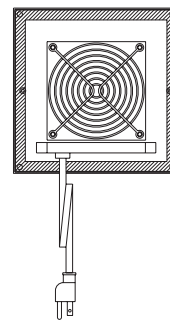
This filter fan may be used as a replacement for the discontinued KP40 (fan filter) / KFG40 (exhaust filter). However, the fan's dimensions and output differs from the KP40 / KFG40.



CUT-OUT DRAWING



GASKET DRAWING



Data subject to change without notice.

| CATALOG NUMBER † | VOLTAGE | MAX. AMPS | AIRFLOW DIRECTION | REPLACEMENT FILTER INLET / EXHAUST | HOUSING MATERIAL | SHIPPING WEIGHT |
|------------------|---------|-----------|-------------------|------------------------------------|------------------|-----------------|
| IQ100FP-126 | AC 115V | 0.14A | Intake only | IFFIL / EFFIL | Painted steel | 6 |
| IQ100FP-236 | AC 230V | 0.09A | Intake only | IFFIL / EFFIL | Painted steel | 6 |
| IQ100FP-126-SC | AC 115V | 0.14A | Intake only | IFFIL / EFFIL | Stainless steel | 6 |
| IQ100FP-236-SC | AC 230V | 0.09A | Intake only | IFFIL / EFFIL | Stainless steel | 6 |

† Part numbers include the filter fan and the exhaust filter.

FILTER FANS

Medium metal filter fan - 250mm - 400m³/h



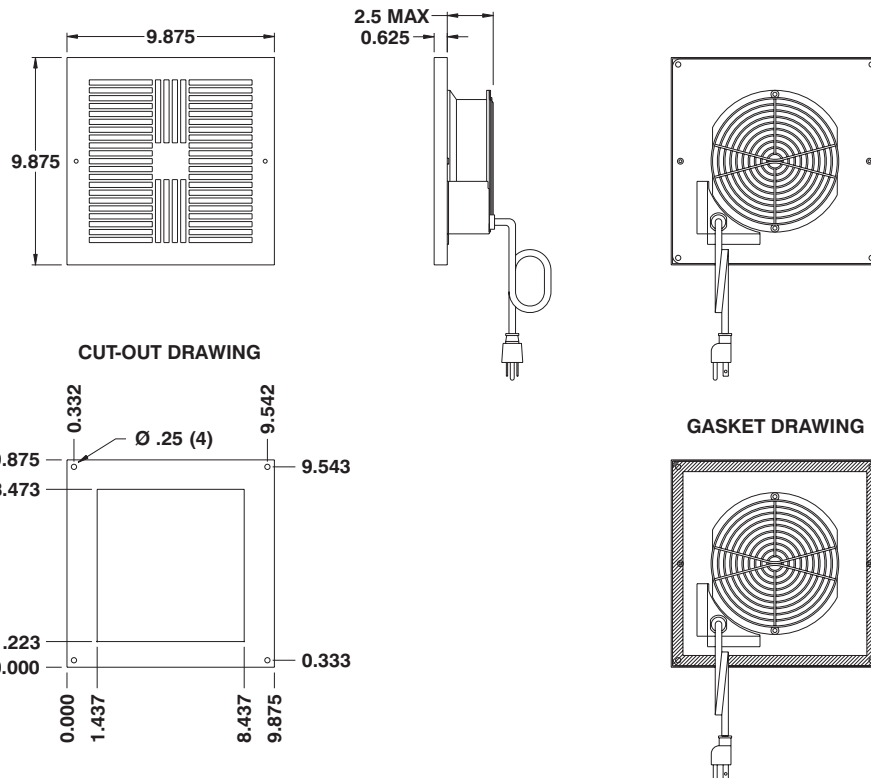
Quick Features :

- Housing made of steel or stainless steel
- The steel fans are painted black (custom colors available)
- The stainless steel fans are brushed
- The kits include the filter fan and the exhaust filter
- For use in environments where humidity is not a concern
- Permanently lubricated, ball bearing axial fan
- Electrostatically charged polypropylene filter traps particles as small as 10 microns
- Electric connection via a power cord (included)
- UL, cUL

Technical Data :

Dimensions (H x W x D) : 250mm X 250mm X 64mm (imperial sizes on drawing)
 Max. operating temperature : 80°C
 Free blowing air volume : 400m³/h
 Protection degree : NEMA 1

This filter fan may be used as a replacement for the discontinued KP60 (fan filter) / KFG60 (exhaust filter). However, the fan's dimensions and output differs from the KP60 / KFG60.



| CATALOG NUMBER † | VOLTAGE | MAX. AMPS | AIRFLOW DIRECTION | REPLACEMENT FILTER INLET / EXHAUST | HOUSING MATERIAL | SHIPPING WEIGHT |
|------------------|---------|-----------|-------------------|------------------------------------|------------------|-----------------|
| IQ200FP-126 | AC 115V | 0.35A | Intake only | IFFIL2 / EFFIL2 | Painted steel | 11 |
| IQ200FP-236 | AC 230V | 0.17A | Intake only | IFFIL2 / EFFIL2 | Painted steel | 11 |
| IQ200FP-126-SC | AC 115V | 0.35A | Intake only | IFFIL2 / EFFIL2 | Stainless steel | 11 |
| IQ200FP-236-SC | AC 230V | 0.17A | Intake only | IFFIL2 / EFFIL2 | Stainless steel | 11 |

† Part numbers include the filter fan and the exhaust filter.

Data subject to change without notice.

FILTER FANS

Large metal filter fan - 340mm - 929m³/h



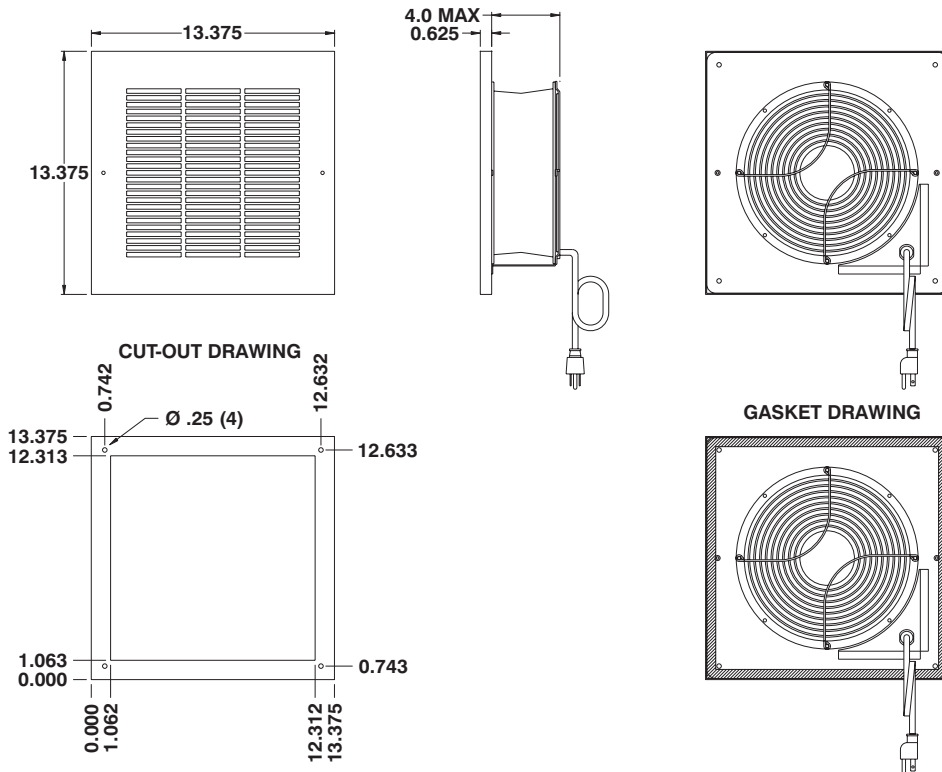
Quick Features :

- Housing made of steel or stainless steel
- The steel fans are painted black (custom colors available)
- The stainless steel fans are brushed
- The kits include the filter fan and the exhaust filter
- For use in environments where humidity is not a concern
- Permanently lubricated, ball bearing axial fan
- Electrostatically charged polypropylene filter traps particles as small as 10 microns
- Electric connection via a power cord (included)
- UL, cUL

Technical Data :

Dimensions (H x W x D) : 340mm X 340mm X 102mm (imperial sizes on drawing)
 Max. operating temperature : 70°C
 Free blowing air volume : 929m³/h
 Protection degree : NEMA 1

This filter fan may be used as a replacement for the discontinued KP100 (fan filter) / KFG100 (exhaust filter). However, the fan's dimensions and output differs from the KP100 / KFG100.



Data subject to change without notice.

| CATALOG NUMBER † | VOLTAGE | MAX. AMPS | AIRFLOW DIRECTION | REPLACEMENT FILTER INLET / EXHAUST | HOUSING MATERIAL | SHIPPING WEIGHT |
|------------------|---------|-----------|-------------------|------------------------------------|------------------|-----------------|
| IQ500FP-126 | AC 115V | 0.28A | Intake only | IFFIL5 / EFFIL5 | Painted steel | 15 |
| IQ500FP-236 | AC 230V | 0.14A | Intake only | IFFIL5 / EFFIL5 | Painted steel | 15 |
| IQ500FP-126-SC | AC 115V | 0.28A | Intake only | IFFIL5 / EFFIL5 | Stainless steel | 15 |
| IQ500FP-236-SC | AC 230V | 0.14A | Intake only | IFFIL5 / EFFIL5 | Stainless steel | 15 |

† Part numbers include the filter fan and the exhaust filter.