

## Splitter blocks and lugs (for 1100 B&T, 1400 B&T)

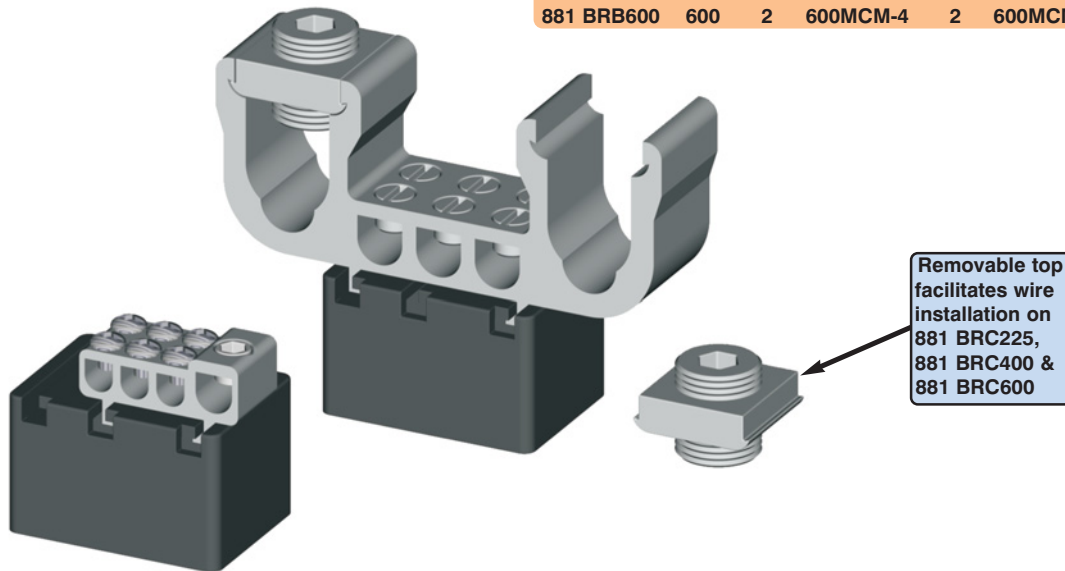
The **881 BRB** splitter blocks for boxes and the **881 BRC** splitter blocks for troughs are designed to mount on all our standard and custom troughs.

Insulation is provided by the polymeric insulator. The one piece body includes the main and branch lugs which can accommodate either copper or aluminum conductors. The design allows wires to be easily laid in place (881 BRC225, 881 BRC400 and 881 BRC600 only). **C.S.A. approved.**

CATALOG NUMBER	MAX AMP. CU-AL	MAIN LUGS		BRANCH LUGS		SHIP WGHT LBS.
		QTY.	WIRES	QTY.	WIRES	
881 BRC070	70	1	2-14	6	2-14	1
881 BRC125	125	1	1/0-14	6	2-14	1
881 BRC225	225	1	300MCM-6	6	2/0-14	1
881 BRC400	400	2	250MCM-1/0*	6	4/0-14	2
881 BRC600	600	4	250MCM-1/0†	6	4/0-14	3

\* or 1 X 600MCM-4 † 2 X 600MCM-4

CATALOG NUMBER	MAX AMP. CU-AL	MAIN LUGS		BRANCH LUGS		SHIP WGHT LBS.
		QTY.	WIRES	QTY.	WIRES	
881 BRB070	70	1	2-14	3	2-14	1
881 BRB125	125	1	2/0-14	3	2/0-14	1
881 BRB225	225	1	300MCM-6	3	2/0-14	1
881 BRB400	400	1	600MCM-4	3	600MCM-4	2
881 BRB600	600	2	600MCM-4	2	600MCM-4	3



## Bus bar lugs (for 1100 BT and 1400 BT)

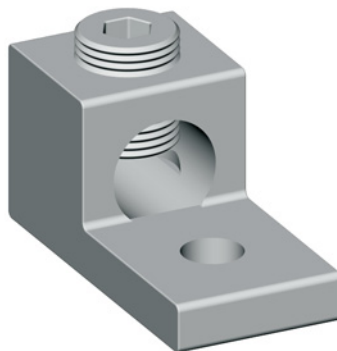
### Aluminum Single Lugs

The **881 BBS** are designed to be used with aluminum or copper conductors. Single lugs are made from high strength, high conductive aluminum alloy 6061-T6, plated tin over copper, rated at 90 degrees Celcius.

**C.S.A. approved. \***

#### Note :

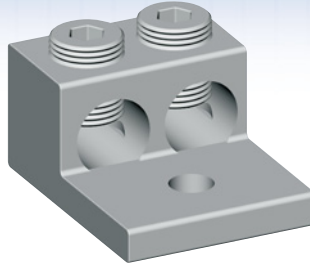
\* Maximum ampacities are based on the Canadian Electrical Code Part-1 for not more than three conductors in raceways or cables, based on an ambient temperature of 30 degrees Celcius and a maximum conductor temperature of 75 degrees Celcius (types RW75, TW75).



CATALOG NUMBER	WIRE RANGE	MAX. AMP. *	
		CU	AL
881 BBS0006	4-14	35	65
881 BBS0002	2-14	115	90
881 BBS0010	1/0-14	150	120
881 BBS0020	2/0-14	175	135
881 BBS0250	250-6	255	205
881 BBS0300	300-6	285	230
881 BBS0350	350-6	310	250
881 BBS0500	500-4	380	310
881 BBS0600	600-2	420	340
881 BBS0800	800-300	490	395
881 BBS1000	1000-500	545	445

## Bus bar lugs (for 1100 BT and 1400 BT)

CATALOG NUMBER	WIRE RANGE	MAX. AMP. *	
		CU	AL
881 BBD0010	1/0-14	300	240
881 BBD0020	2/0-14	350	270
881 BBD0250	250-6	510	410
881 BBD0350	350-6	620	500
881 BBD0500	500-4	760	620
881 BBD0600	600-2	840	680
881 BBD0800	800-300	980	790
881 BBD1000	1000-500	1090	890

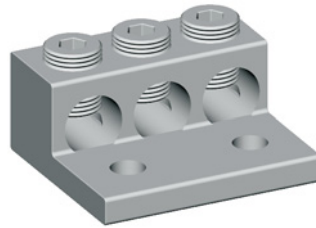


### Aluminum Double Lugs

The 881 BBD are designed to be used with aluminum or copper conductors. Double lugs are made from high strength, high conductive aluminum alloy 6061-T6, plated tin over copper, rated at 90 degrees Celcius.

**C.S.A. approved. \***

CATALOG NUMBER	WIRE RANGE	MAX. AMP. *	
		CU	AL
881 BBT0010	1/0-14	450	360
881 BBT0020	2/0-14	525	405
881 BBT0250	250-6	765	615
881 BBT0350	350-6	930	750
881 BBT0500	500-4	1140	930
881 BBT0600	600-2	1260	1020
881 BBT0800	800-300	1470	1185
881 BBT1000	1000-500	1635	1335

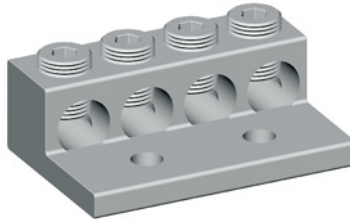


### Aluminum Triple Lugs

The 881 BBT are designed to be used with aluminum or copper conductors. Triple lugs are made from high strength, high conductive aluminum alloy 6061-T6, plated tin over copper, rated at 90 degrees Celcius.

**C.S.A. approved. \***

CATALOG NUMBER	WIRE RANGE	MAX. AMP. *	
		CU	AL
881 BBQ0250	250-6	1020	820
881 BBQ0350	350-6	1240	1000
881 BBQ0500	500-4	1520	1240
881 BBQ0600	600-2	1680	1360
881 BBQ0800	800-300	1960	1580
881 BBQ1000	1000-500	2180	1780

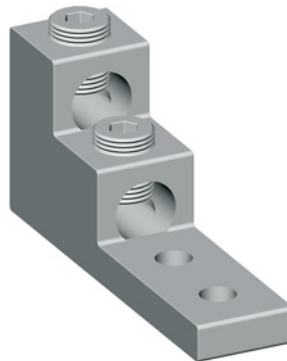


### Aluminum Quadruple Lugs

The 881 BBQ are designed to be used with aluminum or copper conductors. Quadruple lugs are made from high strength, high conductive aluminum alloy 6061-T6, plated tin over copper, rated at 90 degrees Celcius.

**C.S.A. approved. \***

CATALOG NUMBER	WIRES		MAX. AMP. *	
	RANGE	QTY.	CU	AL
881 BPD0350	350-6	2	620	500
881 BPD0600	600-2	2	840	680
881 BPD0750	750-1/0	2	950	770
881 BPD0800	800-300	2	980	790
881 BPT0600	600-2	3	1260	1020
881 BPT0750	750-1/0	3	1425	1155
881 BPT0800	800-300	3	1470	1185
881 BPQ0600	600-2	4	1680	1360
881 BPQ0750	750-1/0	4	1900	1540
881 BPQ0800	800-300	4	1960	1580



### Aluminum Panel Board Lugs

The 881 BP are designed to be used with aluminum or copper conductors. Panel board lugs are made from high strength, high conductive aluminum alloy 6061-T6, plated tin over copper, rated at 90 degrees Celcius.

**C.S.A. approved. \***

#### Note :

\* Maximum ampacities are based on the Canadian Electrical Code Part-1 for not more than three conductors in raceways or cables, based on an ambient temperature of 30 degrees Celcius and a maximum conductor temperature of 75 degrees Celcius (types RW75, TW75).

Data subject to change without notice.