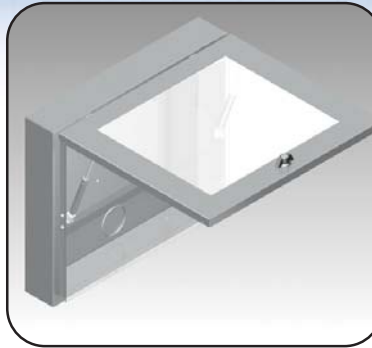


External screen console

The 886 KBS screen compartment is designed to accommodate at most a 21 inch flat screen. The compartment is accessible via a locking window door made of 16GA steel and polycarbonate window. Finish is light gray RAL7035 heat fused polyester powder.



CATALOG NUMBER	DIMENSIONS (mm)		
	H	W	D
886 KBS06	400	550	120

NOTE: Supplied with mounting hardware, however may require drilling holes for installation

Fold down keyboard tray

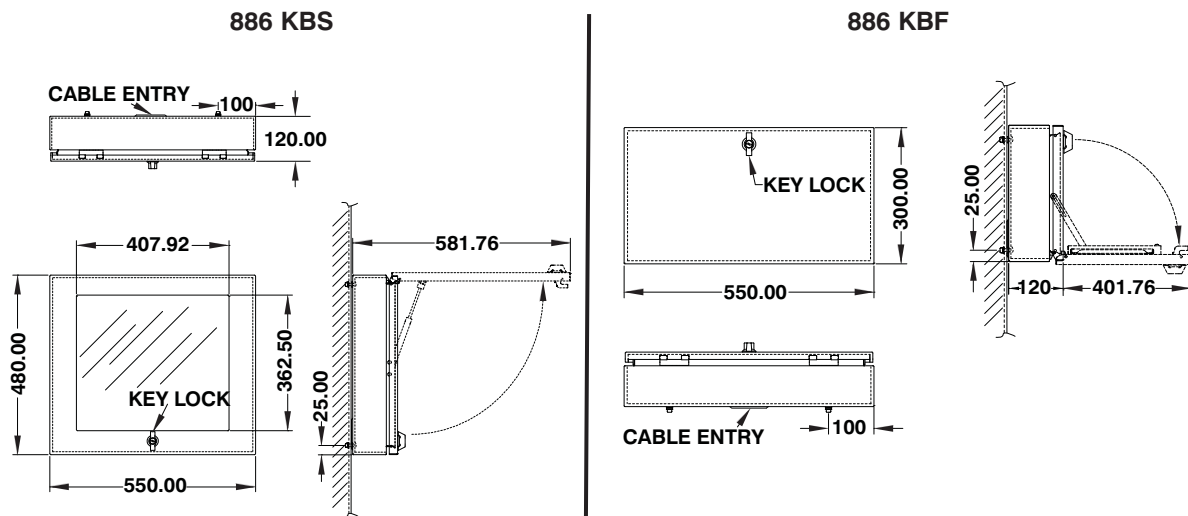
The 886 KBF Fold down keyboard trays are made of 16GA steel and can be installed on any outside enclosure surface. The fold down tray is designed to accommodate standard keyboard and mouse sizes. Finish is light gray RAL7035 heat fused polyester powder.



CATALOG NUMBER	DIMENSIONS (mm)		
	H	W	D
886 KBF06	300	550	120

NOTE: Supplied with mounting hardware, however may require drilling holes for installation

MX/SL
COMPATIBLE



NOTE : The combination of the 886 KBF and the 886 KBS offers a solution for housing a keyboard and a flat screen. These two items are made of 16GA steel and can be installed on any enclosure surface. The two items 886 KBF and 886 KBS need to be selected in order to complete this kit

Data subject to change without notice.

