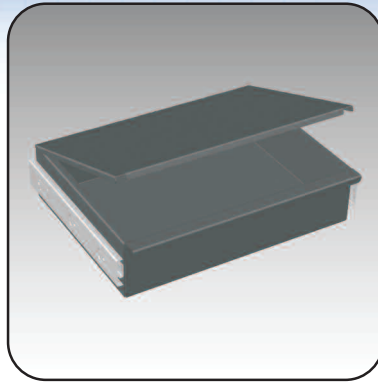


# NEMA 12-13 Mtrx SHELVING & STORAGE 6500 MXSHD

## Drawer

The 6500 MXSHD pull-out drawers are used to store light equipment. The drawers come with a writing surface which serves as a drawer cover.

They are installed directly on the frame, using the included installation brackets. Several drawers can be installed in a cabinet. Drawers are available for all single bay cabinet configurations.

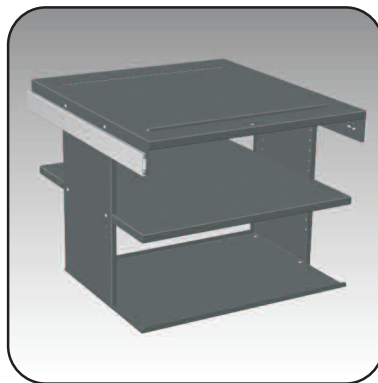


| CATALOG NUMBER | NOMINAL |      |
|----------------|---------|------|
|                | W       | D    |
| 6500 MXSHD0404 | 400     | 400  |
| 6500 MXSHD0405 | 400     | 500  |
| 6500 MXSHD0406 | 400     | 600  |
| 6500 MXSHD0408 | 400     | 800  |
| 6500 MXSHD0604 | 600     | 400  |
| 6500 MXSHD0605 | 600     | 500  |
| 6500 MXSHD0606 | 600     | 600  |
| 6500 MXSHD0608 | 600     | 800  |
| 6500 MXSHD0609 | 600     | 900  |
| 6500 MXSHD0610 | 600     | 1000 |
| 6500 MXSHD0706 | 700     | 600  |
| 6500 MXSHD0708 | 700     | 800  |
| 6500 MXSHD0709 | 700     | 900  |
| 6500 MXSHD0710 | 700     | 1000 |
| 6500 MXSHD0804 | 800     | 400  |
| 6500 MXSHD0805 | 800     | 500  |
| 6500 MXSHD0806 | 800     | 600  |
| 6500 MXSHD0808 | 800     | 800  |
| 6500 MXSHD0809 | 800     | 900  |
| 6500 MXSHD0810 | 800     | 1000 |
| 6500 MXSHD0904 | 900     | 400  |
| 6500 MXSHD0905 | 900     | 500  |
| 6500 MXSHD0906 | 900     | 600  |
| 6500 MXSHD0908 | 900     | 800  |
| 6500 MXSHD0909 | 900     | 900  |
| 6500 MXSHD0910 | 900     | 1000 |
| 6500 MXSHD1004 | 1000    | 400  |
| 6500 MXSHD1005 | 1000    | 500  |
| 6500 MXSHD1006 | 1000    | 600  |
| 6500 MXSHD1008 | 1000    | 800  |
| 6500 MXSHD1009 | 1000    | 900  |

## Pull out printer shelf

The 6500 MXPRISH pull out printer shelves are used to support computer printers or other light equipment.

The top shelf is slotted to allow the use of continuous feed printers. The shelves are installed directly on the frame, using the included installation hardware. Printer shelves can be installed in cabinets with a width and depth of 800x800 or 800x900.



| CATALOG NUMBER   | NOMINAL |     |
|------------------|---------|-----|
|                  | W       | D   |
| 6500 MXPRISH0808 | 800     | 800 |
| 6500 MXPRISH0809 | 800     | 900 |

## Folding shelf

The 886 FS folding shelves are designed to be installed either on the inside (door mounted) or outside (surface mounted) of an enclosure. Hardware are provided for installation. Finish is white heat fused polyester powder.



| CATALOG NUMBER | NOMINAL |     |
|----------------|---------|-----|
|                | W       | D   |
| 886 FS0303     | 305     | 305 |
| 886 FS0404     | 457     | 457 |

Data subject to change without notice.