

# NEMA 12-13 Mtrx RAILS & CABLE CLAMPS 6500 MXWS

## Installation of wiring systems

**Note:** For Wiring Systems instead of mounting panels, interfacing accessories are made available. For more installation details, refer to table and accessories below or contact our customer support group.

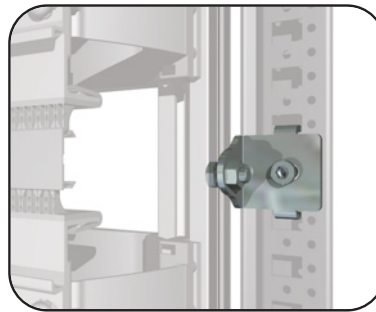
NOMINAL cabinet width (mm)	6500 MXWS & MXWSR surface-to-surface (mm)	886 K47473 hole-to-hole (mm)	Recommended wiring system rail length (mm)
400	296	260	285
500	396	360	385
600	496	460	485
700	596	560	585
800	696	660	685
900	796	760	785
1000	896	860	885
1200	1096	1060	1085
1600	1496	1460	1485



**MX/SL**  
COMPATIBLE

## Adaptor bracket kit for wiring system

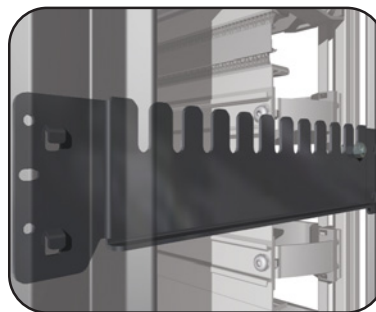
The 6500 MXWS adaptor bracket kit is design for the installation of wiring systems. The adaptor bracket kit is suitable for either surface mounted or profile mounted wiring systems. The bracket kit enables the installation of partial wiring systems. System can be moved by increments of 25mm in vertical plane only.



CATALOG NUMBER	FITS WIRING SYSTEM
6500 MXWS1	LCS (LUTZE)

## Adaptor rail kit for wiring system

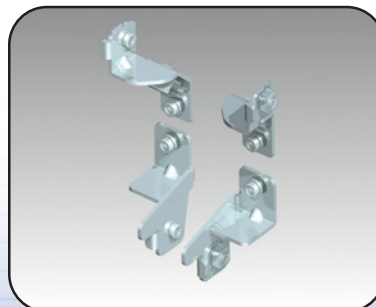
The 6500 MXWSR is comprised of four rails and the necessary hardware for the installation of wiring kits. The rail kit enables the installation of partial wiring systems. System can be moved vertically (height) as well as horizontally (depth) by increments of 25mm. Typical use is with profile mounted systems.



CATALOG NUMBER	FITS CAB. DEPTH (mm)	FITS WIRING SYSTEM
6500 MXWSR04	400	LCS(LUTZE)
6500 MXWSR05	500	LCS(LUTZE)
6500 MXWSR06	600	LCS(LUTZE)
6500 MXWSR07	700	LCS(LUTZE)
6500 MXWSR08	800	LCS(LUTZE)
6500 MXWSR09	900	LCS(LUTZE)
6500 MXWSR10	1000	LCS(LUTZE)
6500 MXWSR11	1100	LCS(LUTZE)
6500 MXWSR12	1200	LCS(LUTZE)

## Bracket kit for inner panel or wiring system

The 886 K47473 kit is comprised of four mounting brackets and the necessary hardware for the installation of a mounting plate/panel or wiring kit. The bracket kit enables only full height surface mounting systems and horizontal adjustments (depth) by increments of 25mm.



CATALOG NUMBER

886 K47473

Horizontal M8 mounting  
hole-to-hole (mm)  
= (Cabinet NOMINAL Width) - 140

Vertical M8 mounting  
hole-to-hole (mm)  
= (Cabinet NOMINAL Height) - 174

Data subject to  
change without  
notice.