

Single bay disconnect cabinet kit

The **6500 MXU disconnect cabinet kit** is used to protect equipment against oil, dust and light water splashing. The protection rating is achieved by the use of a high quality robotically poured-in-place gasket. The standard cabinet kits consist of:

- **6500 MX** frame (painted dark gray RAL7011; galvanized) (see p.18)
- **6500 MXT** top cover (painted dark gray RAL7011; steel) (see p.50)

- **6500 MXB** bottom cover (painted dark gray RAL7011; steel) (see p.56)
- **6500 MXR** rear cover (painted light gray RAL7035; steel) (see p.32)
- **6500 MXDU** solid disconnect door (painted light gray RAL7035; steel) – consisting of : a 4 point locking master door (std left side); a 200mm wide disconnect flange door (right side); a disconnect defeater kit prohibiting access to a live

enclosure; and a standard zinc cast pull handle with slotted insert (see p.28)

- **6500 MXM** inner mounting panel (no finish 11ga galvanized) (see p.39)
- 4 standard leveling feet (p.141)
- 4 lifting eye bolts (see p.141)

**NEMA/EEMAC 12-13
CSA Certified / UL Listed
CE (IEC60529 / IP55)**

Note: For left hand disconnect provisions refer to suffix "L" on facing page.

If the 6500 MXU disconnect cabinet is to be used with a flange mounted disconnect switch or a circuit breaker, the following items must be ordered:

Ordering an Allen-Bradley 1494V Disconnect switch

- an operating mechanism with the disconnect switch 1494V
- an operating handle 1494V-H1
- a connecting rod 1494V-RA1 if the enclosure is 8" deep or 1494V-RA2 if the enclosure is 12" deep
- if required, a trailer fuse block kit 1494V, a fuse clip and line and load connectors.

(Will not accept 1494F disconnect switch, 1494V-R1, -R2 and -W2 operating handles)

Circuit breaker

- a Westinghouse or General Electric circuit breaker.
- an operating mechanism 1494V
- an operating handle 1494V-H11
- a connecting rod 1494V-RA1 if the enclosure is 8" deep or 1494V-RA2 if the enclosure is 12" deep



Ordering a Cutler Hammer Disconnect switch catalog C361

- an operating mechanism with the disconnect switch
- an operating handle (C361-H2 or H4)

Circuit breaker operators catalog C371

- a Cutler hammer or Westinghouse circuit breaker
- an operating mechanism
- an operating handle

Ordering a Square D Class 9422 Disconnect switch

- an operating mechanism with the disconnect switch class 9422
- an operating mechanism handle class 9422 Type A-1

Circuit breaker

- a Square D circuit breaker
- an operating mechanism class 9422
- an operating mechanism handle class 9422 Type A-1

Ordering a General Electric TDA Disconnect Switches

- a disconnect switch QMR or QMW
- a fuse clip kit if required
- a TDAI flange handle
- an operating mechanism, variable depth

Circuit breakers

- a circuit breaker
- a TDAI flange handle
- an operating handle 1494V-H11
- an operating mechanism, variable depth

Ordering an ABB Disconnect switches

- a switch flange operated fuse if required
- a DSFHS-12 shaft
- a DSFHN-HS12 handle

Circuit breaker

- a circuit breaker
- an operating mechanism
- a FHS-12 shaft
- a FHN-HS12 handle

Ordering an I-T-E Max-Flex™ Disconnect switch

- a basic right hand switch
- a fuse kit if required
- a handle FHOHS flange mounted
- an operator FHOSO6R
- a cable FHOECO36

Circuit breaker

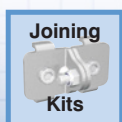
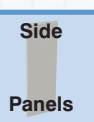
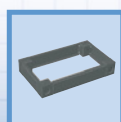
- a circuit breaker
- a set of pressure wire connectors
- a handle FHOH flange mounted
- an operating mechanism
- a standard cable 36"

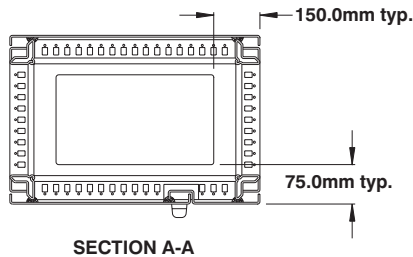
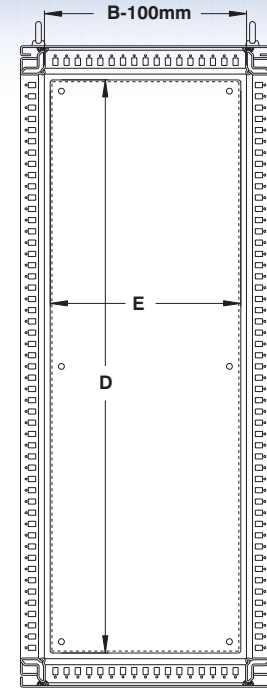
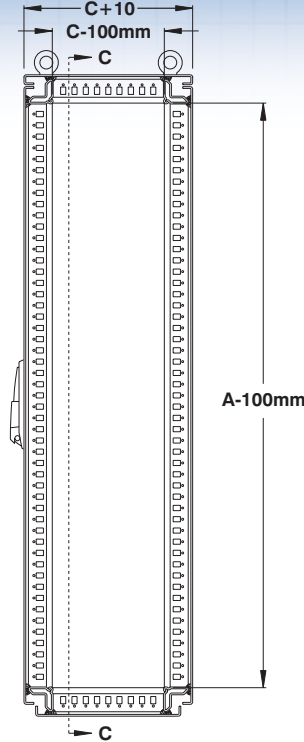
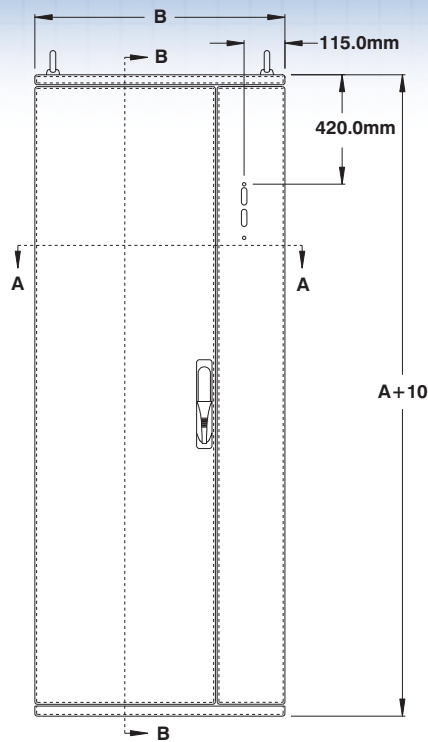
Ordering a Westinghouse

- a disconnect switch or circuit breaker type DS
- a yoke assembly and backplate
- a rod and brace assembly
- a pivot mechanism
- an operating handle

Disconnect switches and operating mechanisms are not furnished with the enclosures.

Data subject to change without notice.





CATALOG NUMBER	NOMINAL			PANEL	
	A	B*	C	D	E
6500 MXU160604	1600	600	400	1480	485
6500 MXU160605	1600	600	500	1480	485
6500 MXU160606	1600	600	600	1480	485
6500 MXU160608	1600	600	800	1480	485
6500 MXU160804	1600	800	400	1480	685
6500 MXU160805	1600	800	500	1480	685
6500 MXU160806	1600	800	600	1480	685
6500 MXU160808	1600	800	800	1480	685
6500 MXU180604	1800	600	400	1680	485
6500 MXU180605	1800	600	500	1680	485
6500 MXU180606	1800	600	600	1680	485
6500 MXU180608	1800	600	800	1680	485
6500 MXU180804	1800	800	400	1680	685
6500 MXU180805	1800	800	500	1680	685
6500 MXU180806	1800	800	600	1680	685
6500 MXU180808	1800	800	800	1680	685
6500 MXU181004	1800	1000	400	1680	885
6500 MXU181005	1800	1000	500	1680	885

CATALOG NUMBER	NOMINAL			PANEL	
	A	B*	C	D	E
6500 MXU181006	1800	1000	600	1680	885
6500 MXU181008	1800	1000	800	1680	885
6500 MXU200604	2000	600	400	1880	485
6500 MXU200605	2000	600	500	1880	485
6500 MXU200606	2000	600	600	1880	485
6500 MXU200608	2000	600	800	1880	485
6500 MXU200804	2000	800	400	1880	685
6500 MXU200805	2000	800	500	1880	685
6500 MXU200806	2000	800	600	1880	685
6500 MXU200808	2000	800	800	1880	685
6500 MXU200809	2000	800	900	1880	685
6500 MXU201004	2000	1000	400	1880	885
6500 MXU201005	2000	1000	500	1880	885
6500 MXU201006	2000	1000	600	1880	885
6500 MXU201008	2000	1000	800	1880	885

* Side panels (one on each side) add 10mm to width.
 † The kits above come with a right hand disconnect provision.

Add suffix 'L' for a left hand disconnect

Data subject to change without notice.



p.463 p.112 p.113 p.144 p.528 p.584 p.494
<http://www.exmweb.com> 1-800-363-2423 Fax : 450-979-4626



info@exmweb.com