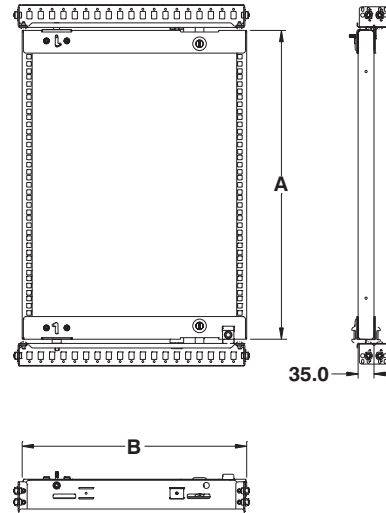


## Partial swing-out 19" rack frames

The 6500 MXSRP partial swing-out 19" rack frames are installed inside either a Mtrx or Streamline cabinet or frame. The kits are comprised of all necessary instal-

lation railing and hardware, enabling the 19" rack to be installed anywhere in height and in depth within the enclosure volume. The racks are made of steel

with ¼ turn slotted locks, finished with polyester powder coated paint RAL7011 sandtex dark gray. **ANSI / CEA-310**



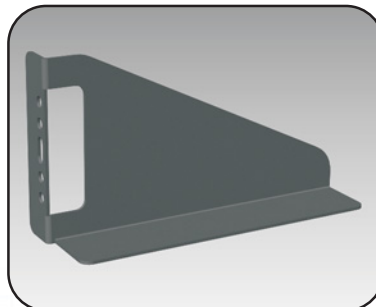
**MX/SL**  
COMPATIBLE

CATALOG NUMBER	RACK UNITS	FIT IN CABINET WIDTH (mm)	DIMENSIONS (mm)	
			A	B
6500 MXSRP3U06	3	600	233	495
6500 MXSRP6U06	6	600	366	495
6500 MXSRP9U06	9	600	500	495
6500 MXSRP12U06	12	600	633	495
6500 MXSRP15U06	15	600	766	495
6500 MXSRP18U06	18	600	900	495
6500 MXSRP3U07	3	700	233	495
6500 MXSRP6U07	6	700	366	495
6500 MXSRP9U07	9	700	500	495

CATALOG NUMBER	RACK UNITS	FIT IN CABINET WIDTH (mm)	DIMENSIONS (mm)	
			A	B
6500 MXSRP12U07	12	700	633	495
6500 MXSRP15U07	15	700	766	495
6500 MXSRP18U07	18	700	900	495
6500 MXSRP3U08	3	800	233	495
6500 MXSRP6U08	6	800	366	495
6500 MXSRP9U08	9	800	500	495
6500 MXSRP12U08	12	800	633	495
6500 MXSRP15U08	15	800	766	495
6500 MXSRP18U08	18	800	900	495

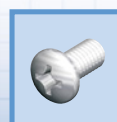
## Guides for swing-out rack

The 6500 MXSRG swing out guides are used with swing out racks to provide extra support for rack equipment. The kit includes two guides and installation hardware.

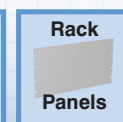


CATALOG NUMBER	DESCRIPTION
6500 MXSRG	Swing out guide

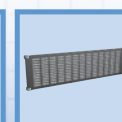
Data subject to change without notice.



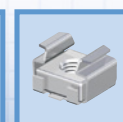
p.148



p.131



p.132



p.148