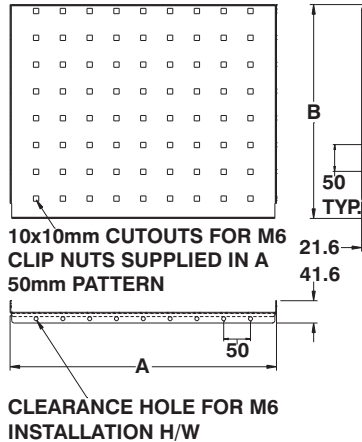
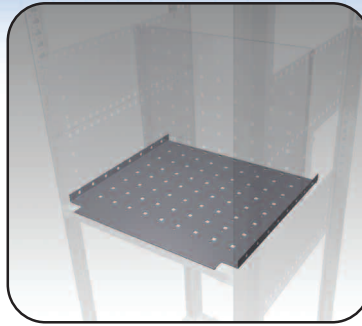


Horizontal division barrier

The 6500 MXP HB horizontal barrier kits are barriers that restrict vertical access from one area to another within the enclosure, thus possibly creating modular volumes accessible via partial doors or partial covers. Knockouts are provided to run cables through from one compartment to another. Ventilation openings enable air to circulate. Each kit consists of one barrier panel and its mounting hardware. Sheet steel zinc-plated.



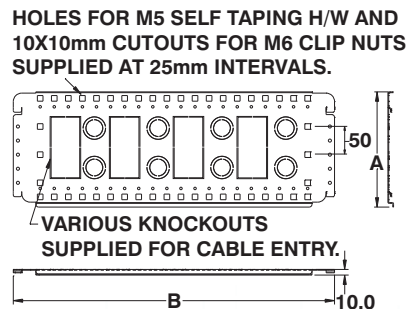
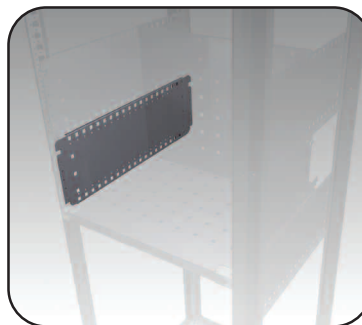
Note: requires grid railing (see p.117) or vertical barrier 6500 MXPVB see below for installation.

CATALOG NUMBER	NOMINAL (mm) Width / Depth	DIMENSIONS (mm) A / B
6500 MXP HB0404	400 / 400	297 / 300
6500 MXP HB0405	400 / 500	297 / 400
6500 MXP HB0406	400 / 600	297 / 500
6500 MXP HB0408	400 / 800	297 / 700
6500 MXP HB0409	400 / 900	297 / 800
6500 MXP HB0604	600 / 400	497 / 300
6500 MXP HB0605	600 / 500	497 / 400
6500 MXP HB0606	600 / 600	497 / 500
6500 MXP HB0608	600 / 800	497 / 700
6500 MXP HB0609	600 / 900	497 / 800
6500 MXP HB0704	700 / 400	597 / 300
6500 MXP HB0705	700 / 500	597 / 400
6500 MXP HB0706	700 / 600	597 / 500
6500 MXP HB0708	700 / 800	597 / 700
6500 MXP HB0709	700 / 900	597 / 800
6500 MXP HB0804	800 / 400	697 / 300
6500 MXP HB0805	800 / 500	697 / 400
6500 MXP HB0806	800 / 600	697 / 500
6500 MXP HB0808	800 / 800	697 / 700
6500 MXP HB0809	800 / 900	697 / 800
6500 MXP HB0904	900 / 400	797 / 300
6500 MXP HB0905	900 / 500	797 / 400
6500 MXP HB0906	900 / 600	797 / 500
6500 MXP HB0908	900 / 800	797 / 700
6500 MXP HB0909	900 / 900	797 / 800
6500 MXP HB1004	1000 / 400	897 / 300
6500 MXP HB1005	1000 / 500	897 / 400
6500 MXP HB1006	1000 / 600	897 / 500
6500 MXP HB1008	1000 / 800	897 / 700
6500 MXP HB1009	1000 / 900	897 / 800

MX/SL
COMPATIBLE

Modular vertical division barrier

The 6500 MXPVB modular vertical barrier kit are supplied in multiples of 200mm. These stackable barriers restrict access vertically, between adjacent cabinets or cable troughs. Knockouts and various mounting features are provided throughout. Each kit consists of a pair of barriers and the necessary mounting hardware. Sheet steel zinc-plated.



CATALOG NUMBER	BARRIER HEIGHT A (mm)	FOR FRAME WIDTH OR DEPTH B (mm)
6500 MXPVB0204	200	400
6500 MXPVB0205	200	500
6500 MXPVB0206	200	600
6500 MXPVB0207	200	700
6500 MXPVB0208	200	800
6500 MXPVB0209	200	900
6500 MXPVB0404	400	400
6500 MXPVB0405	400	500
6500 MXPVB0406	400	600
6500 MXPVB0407	400	700
6500 MXPVB0408	400	800
6500 MXPVB0409	400	900
6500 MXPVB0604	600	400
6500 MXPVB0605	600	500
6500 MXPVB0606	600	600
6500 MXPVB0607	600	700
6500 MXPVB0608	600	800
6500 MXPVB0609	600	900
6500 MXPVB0804	800	400
6500 MXPVB0805	800	500
6500 MXPVB0806	800	600
6500 MXPVB0607	800	700
6500 MXPVB0808	800	800
6500 MXPVB0809	800	900
6500 MXPVB1004	1000	400
6500 MXPVB1005	1000	500
6500 MXPVB1006	1000	600
6500 MXPVB1007	1000	700
6500 MXPVB1008	1000	800
6500 MXPVB1009	1000	900

Data subject to change without notice.