

Base plinth

The 6500 MXPLF base plinths are made to be installed under Mtrx cabinets. They are made of steel.

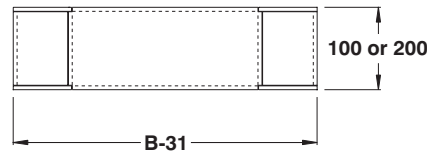
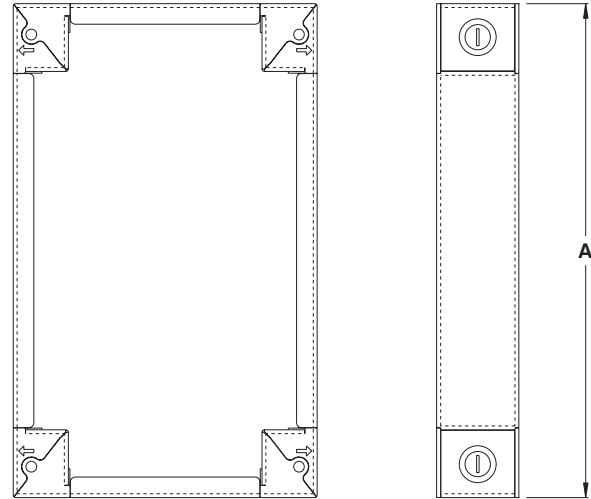
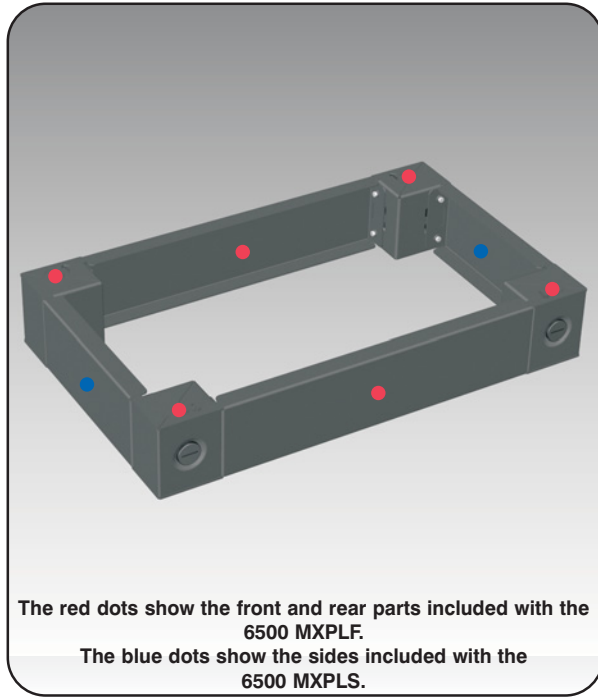
Plinths are ordered using two catalog numbers. (i) The 6500 MXPLF specifies the plinth's front and rear covers and is relative to the cabinet's width.

(ii) The 6500 MXPLS specifies the plinth's side covers and is relative to the cabinet's depth.

Mtrx plinths feature an exclusive ¼ turn lock system which was designed to facilitate the installation and removal of plinth covers. The plinths are finished with heat fused polyester powder, electro-

statically applied on a phosphatized base. Finish is RAL 7011 sandtex dark gray.

Plinths are not included with the 6500 MXK and 6500 MXU cabinet kits and must always be ordered separately.



FRONT AND REAR PLINTH COVERS †		NOMINAL WIDTH (A)
100mm HEIGHT	200mm HEIGHT	
6500 MXPLF0104	6500 MXPLF0204	400
6500 MXPLF0106	6500 MXPLF0206	600
6500 MXPLF0107	6500 MXPLF0207	700
6500 MXPLF0108	6500 MXPLF0208	800
6500 MXPLF0109	6500 MXPLF0209	900
6500 MXPLF0110	6500 MXPLF0210	1000
6500 MXPLF0112	6500 MXPLF0212	1200
6500 MXPLF0116	6500 MXPLF0216	1600
6500 MXPLF0118	6500 MXPLF0218	1800

SIDE PLINTH COVERS ‡		NOMINAL DEPTH (B)
100mm HEIGHT	200mm HEIGHT	
6500 MXPLS0104	6500 MXPLS0204	400
6500 MXPLS0105	6500 MXPLS0205	500
6500 MXPLS0106	6500 MXPLS0206	600
6500 MXPLS0108	6500 MXPLS0208	800
6500 MXPLS0109	6500 MXPLS0209	900
6500 MXPLS0110	6500 MXPLS0210	1000
6500 MXPLS0111	6500 MXPLS0111	1100
6500 MXPLS0112	6500 MXPLS0112	1200

† The 6500 MXPLF kits includes front and rear plinth covers, four corner blocks and installation hardware. The side plinth covers must be purchased separately.

‡ The 6500 MXPLS kits includes side plinth covers and installation hardware. The 6500 MXPLF front and rear plinth covers must be purchased separately.

Data subject to change without notice.



p.141



p.462



p.141