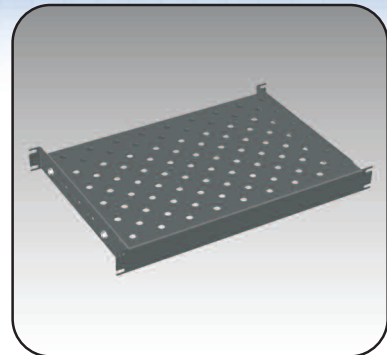


Fixed shelf for rack angles

The 6500 MXLSH fixed shelves are used with two pairs of 'L' shaped rack angles. The shelves are slotted to improve ventilation

| CATALOG NUMBER | FITS RACK WIDTH | SHELF DEPTH | FITS RACK SPACING (between mtg surfaces) (mm) |
|----------------|-----------------|-------------|---|
| 6500 MXLSH193 | 19" | 300 | 300, 400 |
| 6500 MXLSH195 | 19" | 500 | 500 to 700 |
| 6500 MXLSH198 | 19" | 800 | 800 to 1100 |
| 6500 MXLSH233 | 23" | 300 | 300, 400 |
| 6500 MXLSH235 | 23" | 500 | 500 to 700 |
| 6500 MXLSH238 | 23" | 800 | 800 to 1100 |
| 6500 MXLSH245 | 24" | 500 | 500 to 700 |

NOTE: Maximum rack spacing equals (Cabinet NOMINAL DEPTH - 100mm); racks can be installed at increments of 25mm along the entire depth of the cabinet

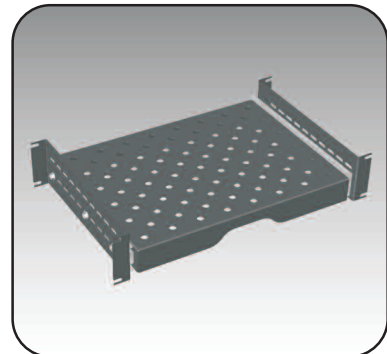


Pull out shelf for rack angles

The 6500 MXLSP pull-out shelves are used with two pairs of 'L' shaped rack angles. The shelves are slotted to improve ventilation

| CATALOG NUMBER | FITS RACK WIDTH | SHELF DEPTH | FITS RACK SPACING (between mtg surfaces) (mm) |
|----------------|-----------------|-------------|---|
| 6500 MXLSP193 | 19" | 300 | 500, 600 |
| 6500 MXLSP195 | 19" | 500 | 600, 700 |
| 6500 MXLSP198 | 19" | 800 | 800, 900, 1000 |
| 6500 MXLSP233 | 23" | 300 | 500, 600 |
| 6500 MXLSP235 | 23" | 500 | 600, 700 |
| 6500 MXLSP238 | 23" | 800 | 800, 900, 1000 |
| 6500 MXLSP245 | 24" | 500 | 600, 700 |

NOTE: Maximum rack spacing equals (Cabinet NOMINAL DEPTH - 100mm); racks can be installed at increments of 25mm along the entire depth of the cabinet



Pull out shelf with sliding mouse pad for rack angles

The 6500 MXLSPM pull out shelf with mouse pad are used with two pairs of rack angles.

| CATALOG NUMBER | FITS RACK WIDTH | SHELF DEPTH | FITS RACK SPACING (between mtg surfaces) (mm) |
|----------------|-----------------|-------------|---|
| 6500 MXLSPM193 | 19" | 300 | 500, 600 |
| 6500 MXLSPM195 | 19" | 500 | 600, 700 |
| 6500 MXLSPM198 | 19" | 800 | 800, 900, 1000 |

NOTE: Maximum rack spacing equals (Cabinet NOMINAL DEPTH - 100mm); racks can be installed at increments of 25mm along the entire depth of the cabinet

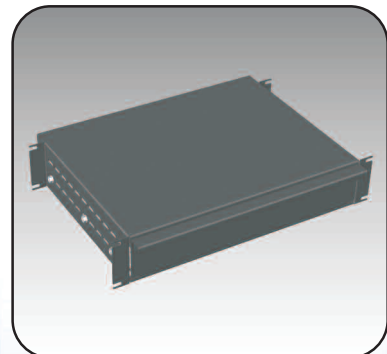


Drawer for rack angles

The 6500 MXLDW drawers are used with two pairs rack angles. Drawers come with a writing surface which serves as a drawer cover.

| CATALOG NUMBER | FITS RACK WIDTH | SHELF DEPTH | RACK UNIT HEIGHT | FITS RACK SPACING (between mtg surfaces) (mm) |
|----------------|-----------------|-------------|------------------|---|
| 6500 MXLDW1903 | 19" | 300 | 1 | 500, 600 |
| 6500 MXLDW1905 | 19" | 500 | 1 | 600, 700 |
| 6500 MXLDW1908 | 19" | 800 | 1 | 800, 900, 1000 |
| 6500 MXLDW1903 | 19" | 300 | 2 | 500, 600 |
| 6500 MXLDW1905 | 19" | 500 | 2 | 600, 700 |
| 6500 MXLDW1908 | 19" | 800 | 2 | 800, 900, 1000 |
| 6500 MXLDW1903 | 19" | 300 | 3 | 500, 600 |
| 6500 MXLDW1905 | 19" | 500 | 3 | 600, 700 |
| 6500 MXLDW1908 | 19" | 800 | 3 | 800, 900, 1000 |

NOTE: Maximum rack spacing equals (Cabinet NOMINAL DEPTH - 100mm); racks can be installed at increments of 25mm along the entire depth of the cabinet



Data subject to change without notice.