

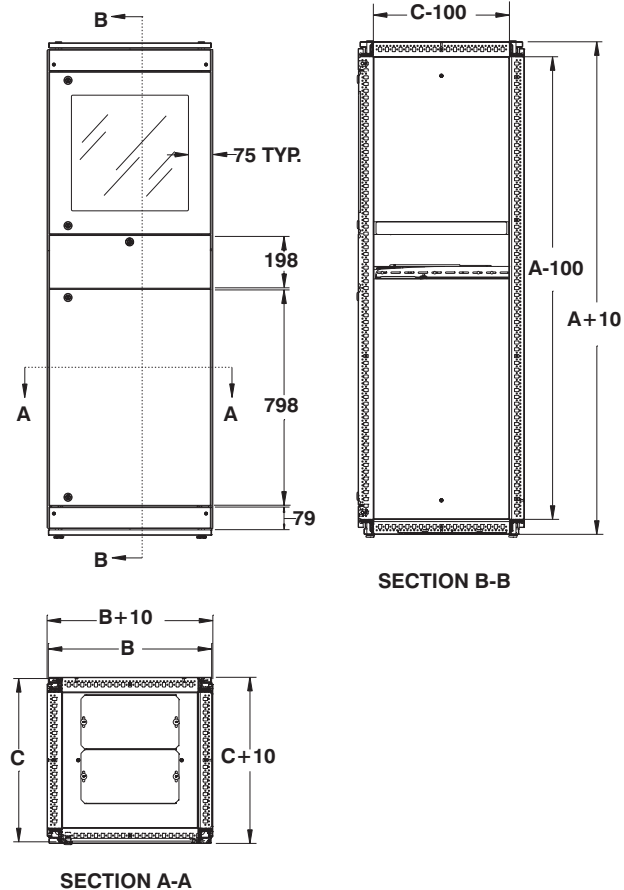
## Mtrx modular PC cabinet kits– with pull out shelf

The **6500 MXKPC modular PC cabinet kits** are complete factory assembled units regrouping all necessary components for specific oil & dust tight PC cabinet applications. Each presented kit consist of the following standard mtrx modular components:

- Mtrx modular frame system (with eye bolts and leveling feet)
- External covers (top, bottom rear, and two sides)
- One partial top window door
- One horizontal hinged door with pull out shelf and sliding mouse pad.
- One partial lower door
- One adjustable shelf (6500 MXSH)
- Two trim panels and four horizontal mullions

Frame, top and bottom are powder coated dark gray RAL7011. All other external covers are light gray RAL7035.

**CSA Certified / UL Listed**  
**NEMA/EEMAC 12-13 / IP55**



CATALOG NUMBER	A (mm)	B (mm)	C (mm)
6500 MXKPC180606	1800	600	600
6500 MXKPC180608	1800	600	800
6500 MXKPC180806	1800	800	600
6500 MXKPC180808	1800	800	800
6500 MXKPC200606	2000	600	600
6500 MXKPC200608	2000	600	800
6500 MXKPC200806	2000	800	600
6500 MXKPC200808	2000	800	800

**NOTE:** All Mtrx components or accessories can be installed on the Modular PC Cabinet. Refer to sections: Multi-Door Solutions p.103; Shelving and Storage p.110; Rails and Cable Clamps p.119; ...

Data subject to change without notice.

