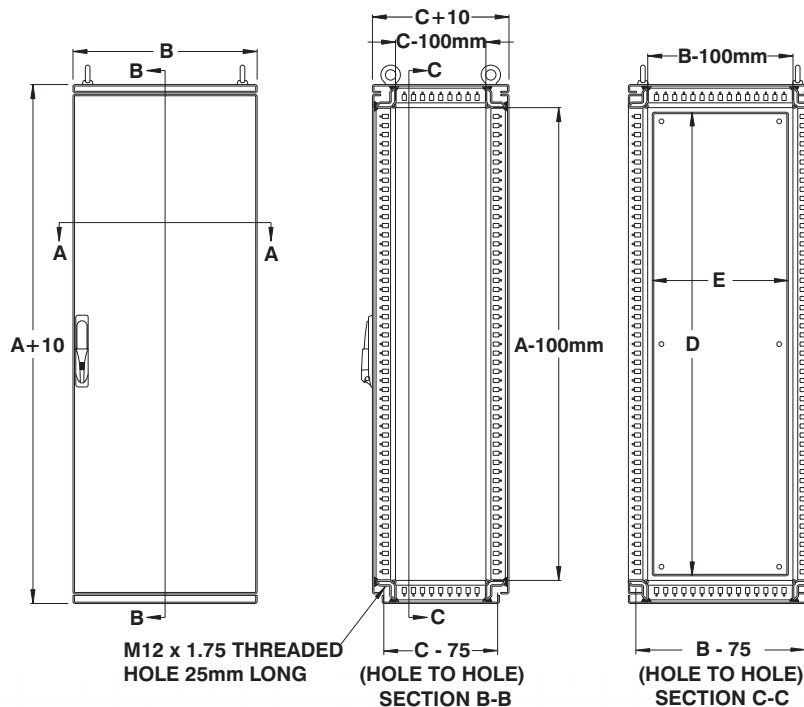


Single bay cabinet kit

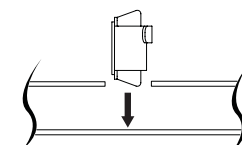
The **6500 MXK cabinet kit** is used to protect equipment against oil, dust and light water splashing. The protection rating is achieved by the use of a high quality robotically poured-in-place gasket. The standard cabinet kits consist of:

- **6500 MX** frame (painted dark gray RAL7011; galvanized) (see p.18)
- **6500 MXT** top cover (painted dark gray RAL7011; steel) (see p.50)
- **6500 MXB** bottom cover (painted dark gray RAL7011; steel) (see p.56)
- **6500 MXR** rear cover (painted light gray RAL7035; steel) (see p.32)
- **6500 MXD** solid door (painted light gray RAL7035; steel) – Consisting of : a 4 points locking door; a tubular stiffening frame; and a zinc cast pull handle with slotted insert. (see p.22)
- **6500 MXM** inner mounting panel (no finish 11ga galvanized) (see p.39)
- 4 standard leveling feet (see p.141)
- 4 lifting eye bolts (see p.141)

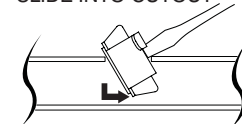
UL Listed / CSA Certified. CE (IEC60529)
NEMA/EEMAC 12-13 / IP55.



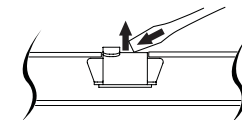
STEP 1: INSERT INTO RECTANGULAR CUTOUT



STEP 2: ROTATE AND SLIDE INTO CUTOUT



STEP 3: PUSH UNTIL SPRING IS ENGAGED



All modular frames are supplied with a hole pattern offset every 25mm to accommodate the installation of front inserted clip nuts (p.148) in all three axes. Refer to above steps for installation.

Data subject to change without notice.

Single bay cabinet kit

CATALOG NUMBER	NOMINAL			PANEL	
	A	B*	C	D	E
6500 MXK070606	700	600	600	580	485
6500 MXK070608	700	600	800	580	485
6500 MXK070609	700	600	900	580	485
6500 MXK070610	700	600	1000	580	485
6500 MXK070612	700	600	1200	580	485
6500 MXK070806	700	800	600	580	685
6500 MXK070808	700	800	800	580	685
6500 MXK070810	700	800	1000	580	685
6500 MXK070812	700	800	1200	580	685
6500 MXK140604	1400	600	400	1280	485
6500 MXK140605	1400	600	500	1280	485
6500 MXK140606	1400	600	600	1280	485
6500 MXK140708	1400	700	800	1280	585
6500 MXK140804	1400	800	400	1280	685
6500 MXK140805	1400	800	500	1280	685
6500 MXK140808	1400	800	800	1280	685
6500 MXK160404	1600	400	400	1480	285
6500 MXK160405	1600	400	500	1480	285
6500 MXK160406	1600	400	600	1480	285
6500 MXK160604	1600	600	400	1480	485
6500 MXK160605	1600	600	500	1480	485
6500 MXK160606	1600	600	600	1480	485
6500 MXK160608	1600	600	800	1480	485
6500 MXK160609	1600	600	900	1480	485
6500 MXK160610	1600	600	1000	1480	485
6500 MXK160612	1600	600	1200	1480	485
6500 MXK160804	1600	800	400	1480	685
6500 MXK160805	1600	800	500	1480	685
6500 MXK160806	1600	800	600	1480	685
6500 MXK160808	1600	800	800	1480	685
6500 MXK160809	1600	800	900	1480	685
6500 MXK160810	1600	800	1000	1480	685
6500 MXK160812	1600	800	1200	1480	685
6500 MXK160904	1600	900	400	1480	785
6500 MXK160905	1600	900	500	1480	785
6500 MXK160906	1600	900	600	1480	785
6500 MXK160908	1600	900	800	1480	785
6500 MXK161004	1600	1000	400	1480	885
6500 MXK161005	1600	1000	500	1480	885
6500 MXK161006	1600	1000	600	1480	885
6500 MXK180404	1800	400	400	1680	285
6500 MXK180405	1800	400	500	1680	285
6500 MXK180406	1800	400	600	1680	285
6500 MXK180408	1800	400	800	1680	285
6500 MXK180604	1800	600	400	1680	485
6500 MXK180605	1800	600	500	1680	485
6500 MXK180606	1800	600	600	1680	485
6500 MXK180608	1800	600	800	1680	485
6500 MXK180609	1800	600	900	1680	485
6500 MXK180610	1800	600	1000	1680	485
6500 MXK180612	1800	600	1200	1680	485
6500 MXK180804	1800	800	400	1680	685
6500 MXK180805	1800	800	500	1680	685
6500 MXK180806	1800	800	600	1680	685
6500 MXK180808	1800	800	800	1680	685
6500 MXK180809	1800	800	900	1680	685
6500 MXK180810	1800	800	1000	1680	685
6500 MXK180812	1800	800	1200	1680	685
6500 MXK180904	1800	900	400	1680	785
6500 MXK180905	1800	900	500	1680	785
6500 MXK180906	1800	900	600	1680	785

CATALOG NUMBER	NOMINAL			PANEL	
	A	B*	C	D	E
6500 MXK180908	1800	900	800	1680	785
6500 MXK181004	1800	1000	400	1680	885
6500 MXK181005	1800	1000	500	1680	885
6500 MXK181006	1800	1000	600	1680	885
6500 MXK181008	1800	1000	800	1680	885
6500 MXK200404	2000	400	400	1880	285
6500 MXK200405	2000	400	500	1880	285
6500 MXK200406	2000	400	600	1880	285
6500 MXK200408	2000	400	800	1880	285
6500 MXK200604	2000	600	400	1880	485
6500 MXK200605	2000	600	500	1880	485
6500 MXK200606	2000	600	600	1880	485
6500 MXK200608	2000	600	800	1880	485
6500 MXK200610	2000	600	1000	1880	485
6500 MXK200612	2000	600	1200	1880	485
6500 MXK200706	2000	700	600	1880	585
6500 MXK200708	2000	700	800	1880	585
6500 MXK200709	2000	700	900	1880	585
6500 MXK200710	2000	700	1000	1880	585
6500 MXK200712	2000	700	1200	1880	585
6500 MXK200804	2000	800	400	1880	685
6500 MXK200805	2000	800	500	1880	685
6500 MXK200806	2000	800	600	1880	685
6500 MXK200808	2000	800	800	1880	685
6500 MXK200809	2000	800	900	1880	685
6500 MXK200810	2000	800	1000	1880	685
6500 MXK200812	2000	800	1200	1880	685
6500 MXK200904	2000	900	400	1880	785
6500 MXK200905	2000	900	500	1880	785
6500 MXK200906	2000	900	600	1880	785
6500 MXK200908	2000	900	800	1880	785
6500 MXK201004	2000	1000	400	1880	885
6500 MXK201005	2000	1000	500	1880	885
6500 MXK201006	2000	1000	600	1880	885
6500 MXK201008	2000	1000	800	1880	885
6500 MXK220405	2200	400	500	2080	285
6500 MXK220406	2200	400	600	2080	285
6500 MXK220408	2200	400	800	2080	285
6500 MXK220605	2200	600	500	2080	485
6500 MXK220606	2200	600	600	2080	485
6500 MXK220608	2200	600	800	2080	485
6500 MXK220609	2200	600	900	2080	485
6500 MXK220610	2200	600	1000	2080	485
6500 MXK220612	2200	600	1200	2080	485
6500 MXK220708	2200	700	800	2080	585
6500 MXK220709	2200	700	900	2080	585
6500 MXK220710	2200	700	1000	2080	585
6500 MXK220712	2200	700	1200	2080	585
6500 MXK220805	2200	800	500	2080	685
6500 MXK220806	2200	800	600	2080	685
6500 MXK220808	2200	800	800	2080	685
6500 MXK220809	2200	800	900	2080	685
6500 MXK220810	2200	800	1000	2080	685
6500 MXK220812	2200	800	1200	2080	685
6500 MXK220905	2200	900	500	2080	785
6500 MXK220906	2200	900	600	2080	785
6500 MXK220908	2200	900	800	2080	785
6500 MXK220908	2200	900	800	2080	785
6500 MXK221005	2200	1000	500	2080	885
6500 MXK221006	2200	1000	600	2080	885
6500 MXK221008	2200	1000	800	2080	885

* Side panels (one on each side) add 10mm to width.



Data subject to change without notice.



p.463



p.112



p.113



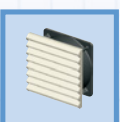
p.144



p.528



p.584



p.494