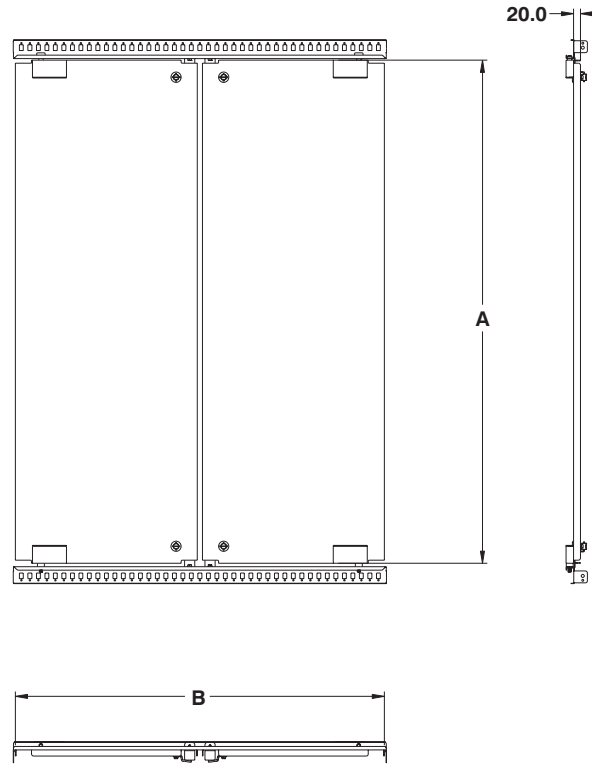
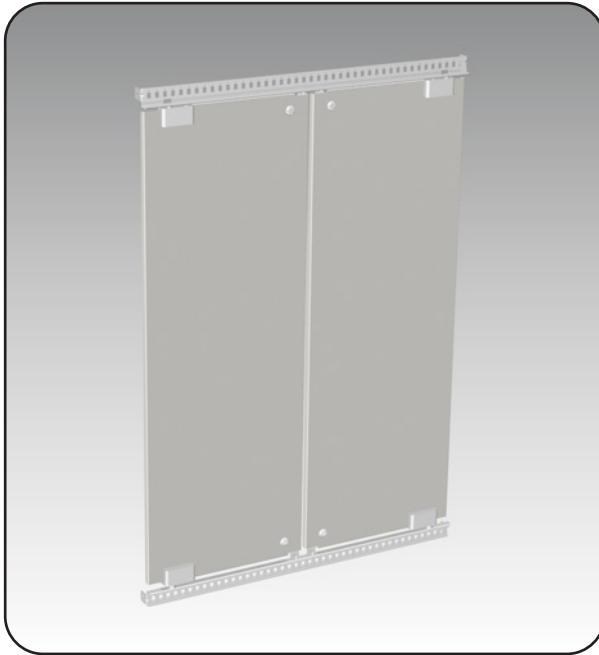


Inner doors for double bay cabinet

The 6500 MXDM inner doors are installed inside a Mtrx double bay cabinet. They are made of steel. The door's frame is bolted to cabinet's frame, at any depth within the cabinet. Installation hardware

is provided. The doors are secured by quarter-turn locks. Key locks can be ordered separately. The doors are hinged on the left side. They are finished with heat fused polyester powder,

electrostatically applied on a phosphatized base. The finish is RAL7035 texture light gray.



MX/SL
COMPATIBLE

CATALOG NUMBER	NOMINAL		DIMENSIONS	
	H	W	A	B
6500 MXDM0712	700	1200	580	1085
6500 MXDM1412	1400	1200	1280	1085
6500 MXDM1416	1400	1600	1280	1485
6500 MXDM1612	1600	1200	1480	1085
6500 MXDM1812	1800	1200	1680	1085

CATALOG NUMBER	NOMINAL		DIMENSIONS	
	H	W	A	B
6500 MXDM1816	1800	1600	1680	1485
6500 MXDM2012	2000	1200	1880	1085
6500 MXDM2016	2000	1600	1880	1485
6500 MXDM2018	2000	1800	1880	1685
6500 MXDM2212	2200	1200	2080	1085

Data subject to change without notice.



p.442



p.441



p.442