

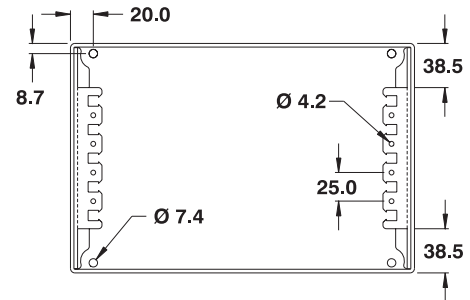
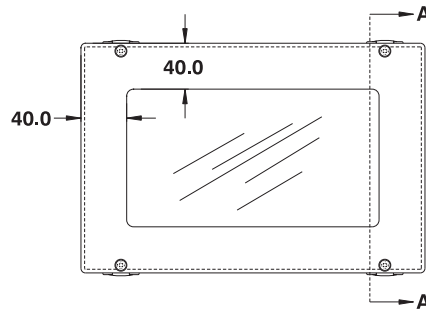
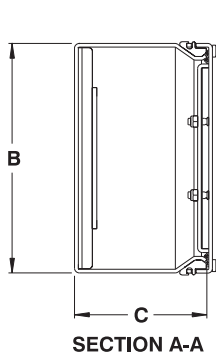
Water, oil & dust tight windowed terminal boxes, metric

The 6412 ESWTB screw cover oil and dust tight enclosures are used indoors and outdoors to protect the enclosed controls from dust, dirt, oil and water splashing. The box and cover are made from code gauge steel with all seams continuously welded. The window is made of ¼ inch lexan. The opening has a curled lip around all sides to prevent

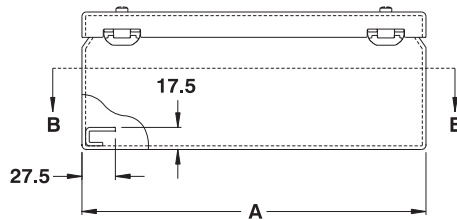
dripping water from entering the enclosure when the door is open, it also increases rigidity. A high quality robotically poured-in-place seamless gasket ensures a complete and durable water tight seal. The enclosure can be internally mounted or externally mounted using optional wall mounting feet. These feet have oblong holes to facilitate installa-

tion. Mounting brackets are supplied on the bottom of the enclosure. Inner panels can be ordered separately, see page 190. Enclosures are finished with heat fused polyester powder, electrostatically applied on a pretreated base. Box is RAL7035 textured light gray.

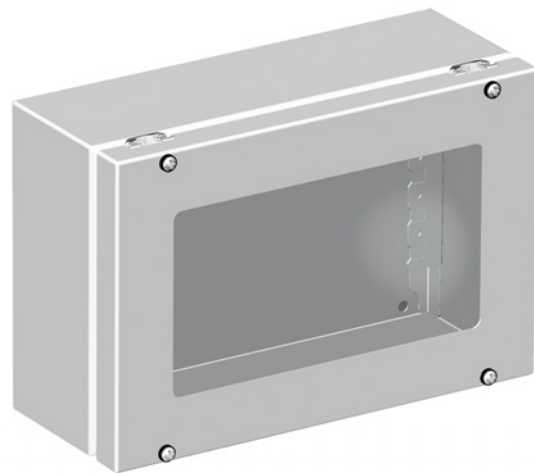
**CSA Certified / UL Listed.
NEMA/EEMAC 4-12 / IP66**



SECTION B-B



CATALOG NUMBER	DIMENSIONS - METRIC (mm)			SHIP WGHT LBS.
	B	A	C	
6412 ESWTB151508	150	150	80	2
6412 ESWTB202008	200	200	80	4
6412 ESWTB302008	300	200	80	5
6412 ESWTB402008	400	200	80	6
6412 ESWTB502008	500	200	80	7
6412 ESWTB602008	600	200	80	9
6412 ESWTB802008	800	200	80	11
6412 ESWTB151512	150	150	120	4
6412 ESWTB202012	200	200	120	5
6412 ESWTB301512	300	150	120	4
6412 ESWTB302012	300	200	120	6
6412 ESWTB303012	300	300	120	8
6412 ESWTB402012	400	200	120	7
6412 ESWTB403012	400	300	120	9
6412 ESWTB404012	400	400	120	12
6412 ESWTB502012	500	200	120	8
6412 ESWTB503012	500	300	120	11
6412 ESWTB602012	600	200	120	10
6412 ESWTB603012	600	300	120	13
6412 ESWTB604012	600	400	120	16
6412 ESWTB606012	600	600	120	19
6412 ESWTB802012	800	200	120	13
6412 ESWTB804012	800	400	120	21



Data subject to change without notice.



p.452



p.442



p.518



p.524



p.536



p.494



p.462

<http://www.exmweb.com>

1-800-363-2423

Fax : 450-979-4626



info@exmweb.com