

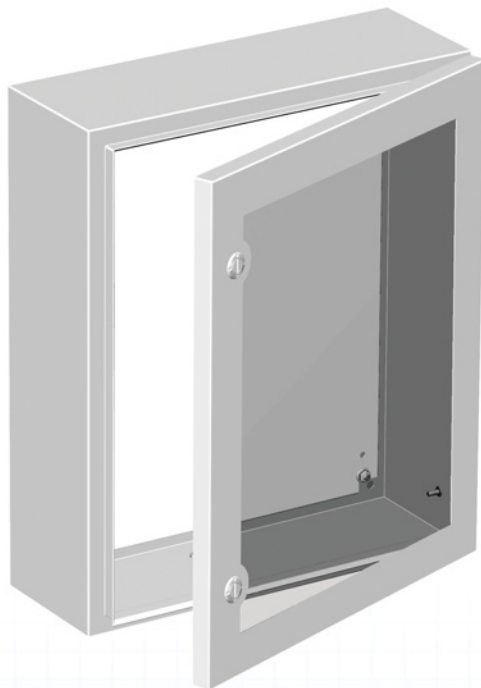
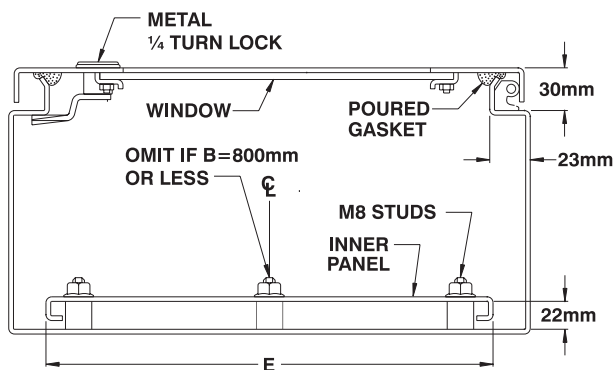
Water, oil & dust tight windowed enclosures, metric

The 6412 ESW water, oil & dust tight enclosures are used indoors or outdoors in areas where the enclosures may be subject to hosing or to water coming from any direction or for protection against dust, dirt or oil splashing. The 6412 ESW are made from quality 14 GA or 16 GA steel, with corner seams continuously welded. The window is made with self-extinguishing polycarbonate. The opening has a curled lip around all sides to prevent drip-

ping water from entering the enclosure when the door is open, it also increases rigidity. A high quality robotically poured-in-place seamless gasket ensures a complete and durable water tight seal. The captive pins of the concealed hinges can be pulled to remove the door. A ¼ turn locking mechanism (or 3 point latch system on larger enclosures) ensures positive closing. Internal mounting holes are provided. Each enclosure

comes complete with a 12 GA inner panel which is double bent* for maximum rigidity and which mounts on M8 welded studs. Enclosures are finished with heat fused polyester powder, electrostatically applied on a pre-treated base. The box is RAL7035 textured light gray, the panel is unpainted galvanized steel.

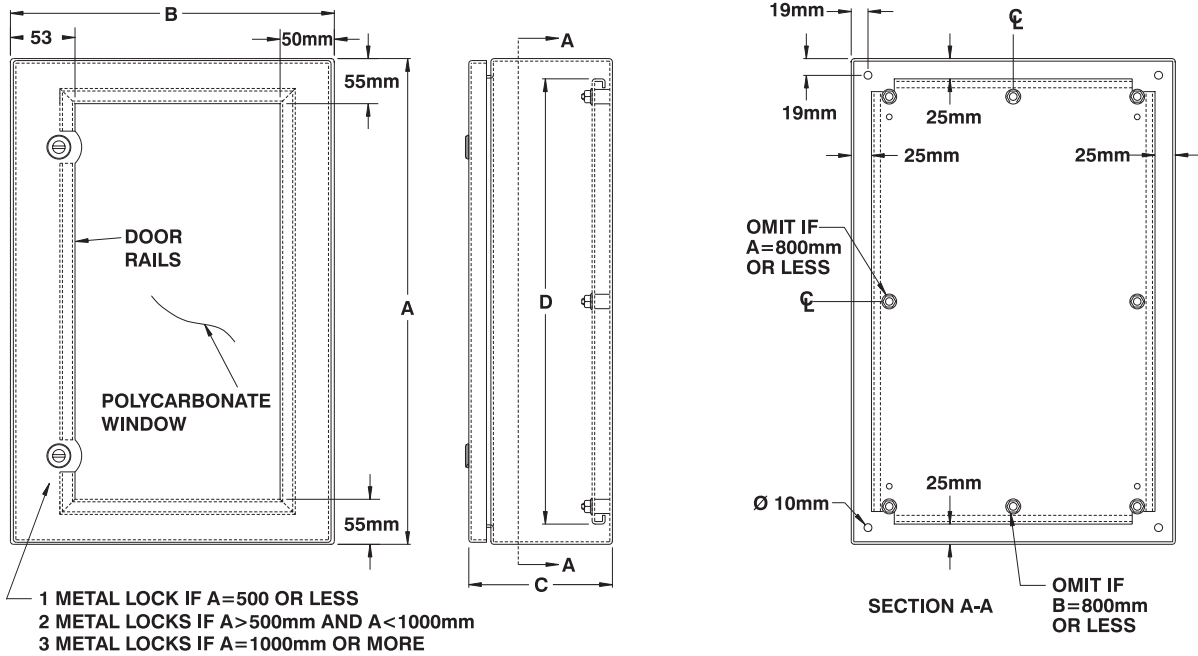
CSA Certified / UL Listed
NEMA/EEMAC 4-12 / IP66



CATALOG NUMBER	DIMENSIONS					SHIP WGT LBS.
	B	A	C	D	E	
6412 ESW020315	200	300	150	250	150	13
6412 ESW030315	300	300	150	250	250	17
6412 ESW030415	300	400	150	350	250	21
6412 ESW030515	300	500	150	450	250	25
6412 ESW040315	400	300	150	250	350	21
6412 ESW030520	300	500	200	450	250	29
6412 ESW040320	400	300	200	250	350	24
6412 ESW040420	400	400	200	350	350	30
6412 ESW040520	400	500	200	450	350	34
6412 ESW050520	500	500	200	450	450	41
6412 ESW060420	600	400	200	350	550	40
6412 ESW040525	400	500	250	450	350	40
6412 ESW060430	600	400	300	350	550	51
6412 ESW040620	400	600	200	550	350	40
6412 ESW050720	500	700	200	650	450	54
6412 ESW060620	600	600	200	550	550	54
6412 ESW040625	400	600	250	550	350	45
6412 ESW050725	500	700	250	650	450	59
6412 ESW060825	600	800	250	750	550	75
6412 ESW061025	600	1000	250	950	550	96
6412 ESW060630	600	600	300	550	550	66
6412 ESW060830	600	800	300	750	550	81
6412 ESW061030	600	1000	300	950	550	103
6412 ESW080830	800	800	300	750	750	106
6412 ESW081030	800	1000	300	950	750	128
6412 ESW040640	400	600	400	550	350	79
6412 ESW060640	600	600	400	550	550	79
6412 ESW060840	600	800	400	750	550	101
6412 ESW061040	600	1000	400	950	550	123
6412 ESW061230	600	1200	300	1150	550	119
6412 ESW081230	800	1200	300	1150	750	147

Data subject to change without notice.





* Only panels with sides 600mm or more are double bent.

Data subject to change without notice.

