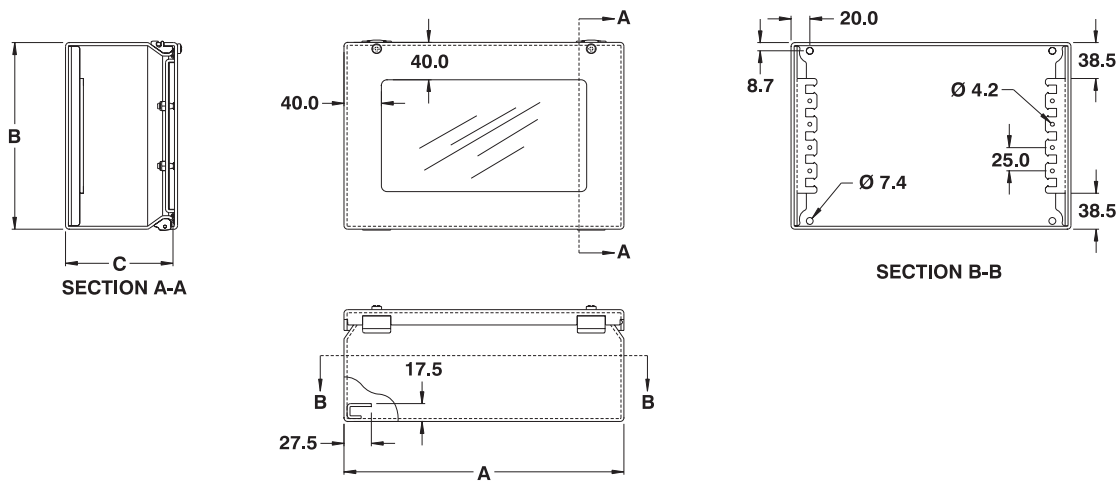


Water, oil & dust tight hinged windowed terminal boxes

The **6412 ESCHWTB** are used indoors or outdoors to protect the enclosed controls from dust, dirt, oil and water splashing. The 6412 ESCHWTB are made from quality code gauge steel, with corner seems continuously welded. The window is made of 1/4" lexan. The opening has a curled lip around all sides to prevent dripping water from entering the enclosure when the door is open, it also increases rigidity. A high

quality robotically poured-in-place seamless gasket ensures a complete and durable water tight seal. The enclosures feature die cast hinges, which are bound to the cover by an exclusive concealed hinge pin system. The covers are interchangeable and can be removed by unfastening the anti-vibration lock nuts. The enclosure can be internally mounted or externally mounted using optional wall mounting feet.

These feet have oblong holes to facilitate installation. Mounting brackets are supplied on the bottom of the enclosure. Inner panels can be ordered separately, see page 190. Enclosures are finished with heat fused polyester powder, electrostatically applied on a pretreated base. Box is RAL7035 textured light gray. **CSA Certified / UL Listed NEMA/EEMAC 4-12 / IP66**



CATALOG NUMBER	DIMENSIONS - METRIC (mm)			SHIP WGHT LBS.
	B	A	C	
6412 ESCHWTB151508	150	150	80	2
6412 ESCHWTB202008	200	200	80	4
6412 ESCHWTB302008	300	200	80	5
6412 ESCHWTB402008	400	200	80	6
6412 ESCHWTB502008	500	200	80	7
6412 ESCHWTB602008	600	200	80	9
6412 ESCHWTB802008	800	200	80	11
6412 ESCHWTB151512	150	150	120	4
6412 ESCHWTB202012	200	200	120	5
6412 ESCHWTB301512	300	150	120	4
6412 ESCHWTB302012	300	200	120	6
6412 ESCHWTB303012	300	300	120	8
6412 ESCHWTB402012	400	200	120	7
6412 ESCHWTB403012	400	300	120	9
6412 ESCHWTB404012	400	400	120	12
6412 ESCHWTB502012	500	200	120	8
6412 ESCHWTB503012	500	300	120	11
6412 ESCHWTB602012	600	200	120	10
6412 ESCHWTB603012	600	300	120	13
6412 ESCHWTB604012	600	400	120	16
6412 ESCHWTB606012	600	600	120	19
6412 ESCHWTB802012	800	200	120	13
6412 ESCHWTB804012	800	400	120	21



Data subject to change without notice.



p.452 p.449 p.518 p.526 p.536 p.494 p.462
<http://www.exmweb.com> 1-800-363-2423 Fax : 450-979-4626



info@exmweb.com