

## Water, oil & dust tight enclosures, metric

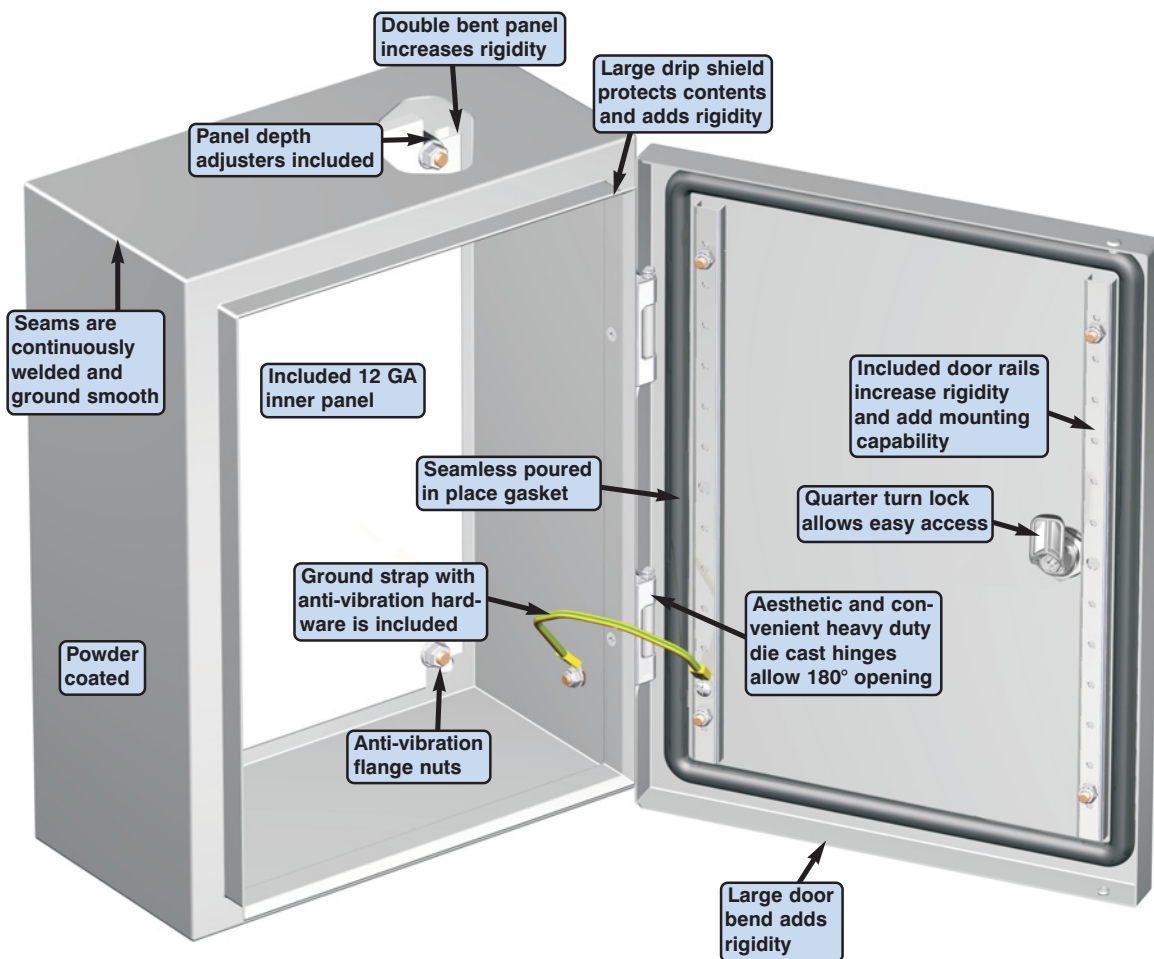
The 6412 ES water, oil & dust tight enclosures are used indoors or outdoors in areas where the enclosures may be subject to hosing or to water coming from any direction or for protection against dust, dirt or oil splashing. The 6412 ES are made from quality 14 GA or 16 GA steel, with corner seams continuously welded. The opening has a curled lip around all sides to prevent dripping water from entering the

enclosure when the door is open, it also increases rigidity. A high quality robotically poured-in-place seamless gasket ensures a complete and durable water tight seal. The captive pins of the concealed hinges can be pulled to remove the door.

A ¼ turn locking mechanism (or 3 point latch system on larger enclosures) ensures positive closing. Internal mounting holes are provided. Each enclosure

comes **complete with a 12 GA inner panel** which is double bent\* for maximum rigidity and which mounts on M8 welded studs. Enclosures are finished with heat fused polyester powder, electrostatically applied on a pre-treated base. The box is RAL7035 light gray, the panel is unpainted galvanized steel.

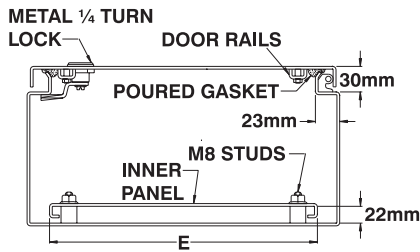
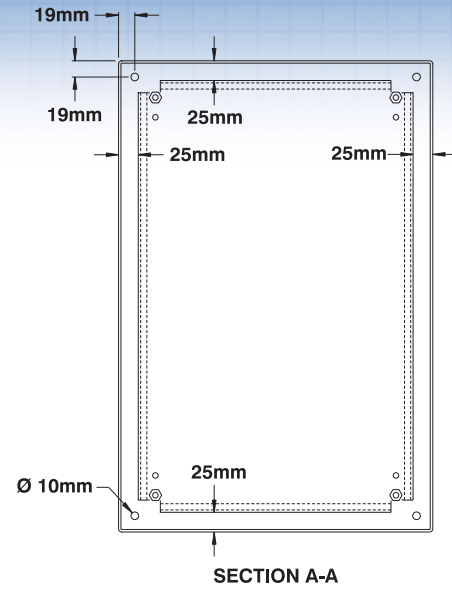
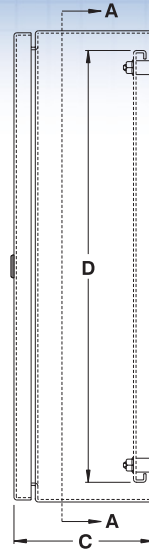
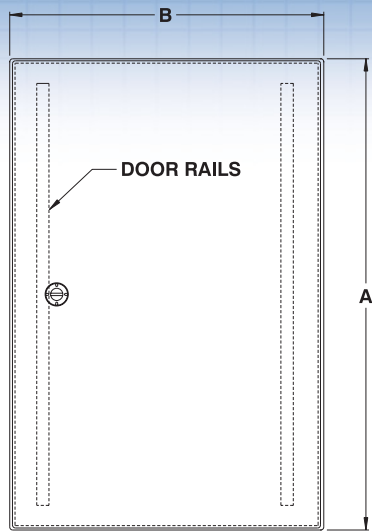
**CSA Certified / UL Listed  
NEMA/EEMAC 4-12 / IP66**



The 6412 ES - European styling

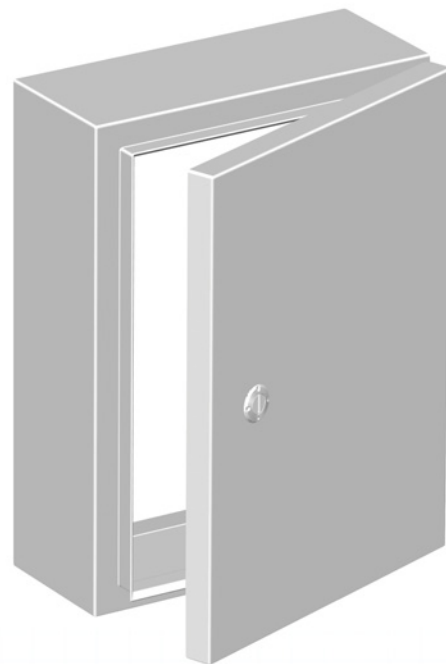
Data subject to change without notice.



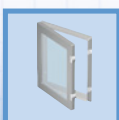


| CATALOG NUMBER | DIMENSIONS - METRIC (mm) |     |     |     |     | SHIP WGHT LBS. |
|----------------|--------------------------|-----|-----|-----|-----|----------------|
|                | B                        | A   | C   | D   | E   |                |
| 6412 ES020315  | 200                      | 300 | 150 | 250 | 150 | 13             |
| 6412 ES030315  | 300                      | 300 | 150 | 250 | 250 | 17             |
| 6412 ES030415  | 300                      | 400 | 150 | 350 | 250 | 21             |
| 6412 ES040315  | 400                      | 300 | 150 | 250 | 350 | 21             |
| 6412 ES040320  | 400                      | 300 | 200 | 250 | 350 | 24             |
| 6412 ES040420  | 400                      | 400 | 200 | 350 | 350 | 30             |
| 6412 ES060420  | 600                      | 400 | 200 | 350 | 550 | 40             |
| 6412 ES060430  | 600                      | 400 | 300 | 350 | 550 | 51             |

\* Only panels with one side 600mm or more are double bent.



Data subject to change without notice.



p.482

<http://www.exmweb.com>



p.466



p.463



p.484

1-800-363-2423



p.467

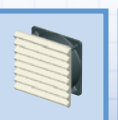


p.526

Fax : 450-979-4626



p.536

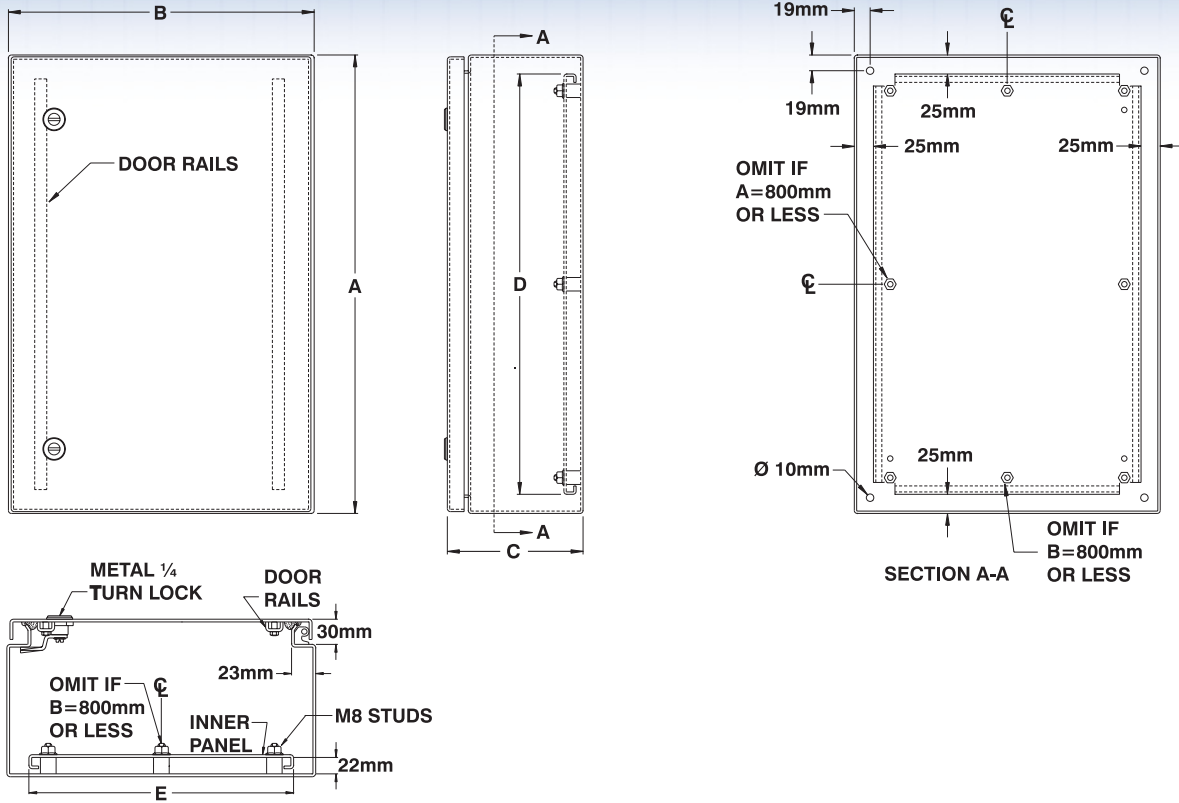


p.494

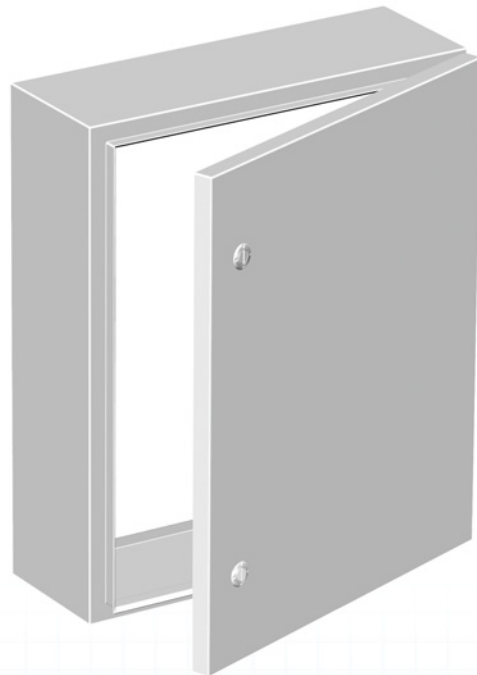


p.462

[info@exmweb.com](mailto:info@exmweb.com)



| CATALOG NUMBER | DIMENSIONS - METRIC (mm) |      |     |     |     | SHIP WGHT LBS. |
|----------------|--------------------------|------|-----|-----|-----|----------------|
|                | B                        | A    | C   | D   | E   |                |
| 6412 ES030515  | 300                      | 500  | 150 | 450 | 250 | 25             |
| 6412 ES030520  | 300                      | 500  | 200 | 450 | 250 | 29             |
| 6412 ES040520  | 400                      | 500  | 200 | 450 | 350 | 34             |
| 6412 ES040620  | 400                      | 600  | 200 | 550 | 350 | 40             |
| 6412 ES050520  | 500                      | 500  | 200 | 450 | 450 | 41             |
| 6412 ES050720  | 500                      | 700  | 200 | 650 | 450 | 54             |
| 6412 ES060620  | 600                      | 600  | 200 | 550 | 550 | 54             |
| 6412 ES040525  | 400                      | 500  | 250 | 450 | 350 | 40             |
| 6412 ES040625  | 400                      | 600  | 250 | 550 | 350 | 45             |
| 6412 ES050725  | 500                      | 700  | 250 | 650 | 450 | 59             |
| 6412 ES060825  | 600                      | 800  | 250 | 750 | 550 | 75             |
| 6412 ES061025  | 600                      | 1000 | 250 | 950 | 550 | 96             |
| 6412 ES060630  | 600                      | 600  | 300 | 550 | 550 | 66             |
| 6412 ES060830  | 600                      | 800  | 300 | 750 | 550 | 81             |
| 6412 ES061030  | 600                      | 1000 | 300 | 950 | 550 | 103            |
| 6412 ES080830  | 800                      | 800  | 300 | 750 | 750 | 106            |
| 6412 ES081030  | 800                      | 1000 | 300 | 950 | 750 | 128            |
| 6412 ES040640  | 400                      | 600  | 400 | 550 | 350 | 79             |
| 6412 ES060640  | 600                      | 600  | 400 | 550 | 550 | 79             |
| 6412 ES060840  | 600                      | 800  | 400 | 750 | 550 | 101            |
| 6412 ES061040  | 600                      | 1000 | 400 | 950 | 550 | 123            |

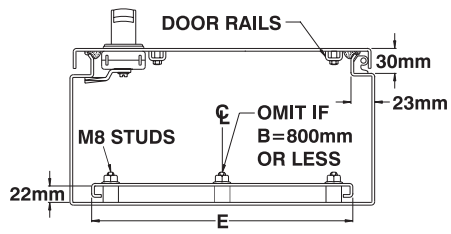
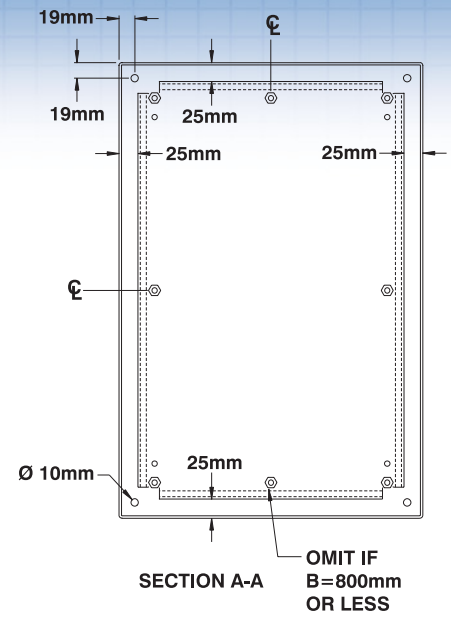
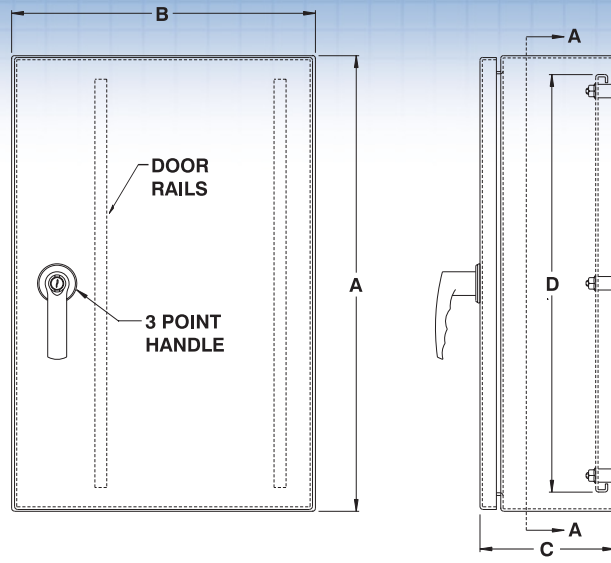


Data subject to change without notice.

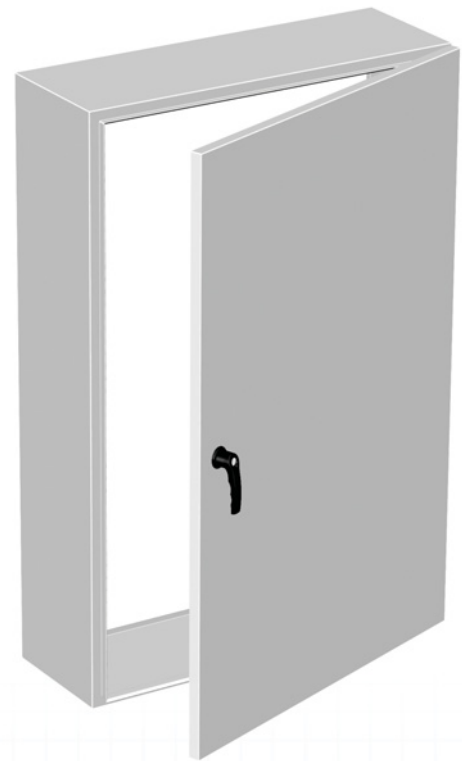


# IP66 METRIC BOXES

# 6412 ES



| CATALOG NUMBER | DIMENSIONS - METRIC (mm) |      |     |      |     | SHIP WGHT LBS. |
|----------------|--------------------------|------|-----|------|-----|----------------|
|                | B                        | A    | C   | D    | E   |                |
| 6412 ES061230  | 600                      | 1200 | 300 | 1150 | 550 | 119            |
| 6412 ES081230  | 800                      | 1200 | 300 | 1150 | 750 | 147            |



Data subject to change without notice.



[p.482](#)    [p.466](#)    [p.463](#)    [p.484](#)    [p.467](#)    [p.526](#)    [p.536](#)    [p.494](#)    [p.462](#)  
<http://www.exmweb.com>    1-800-363-2423    Fax : 450-979-4626    [info@exmweb.com](mailto:info@exmweb.com)