

Oil & dust tight double door stainless steel enclosure

The 5500 ESSDD wall mounted double door, oil and dust tight enclosures are used indoors for protection against dirt, dust and oil. The box and cover are made from quality 14 GA (Type 304) stainless steel with all seams continuously welded.

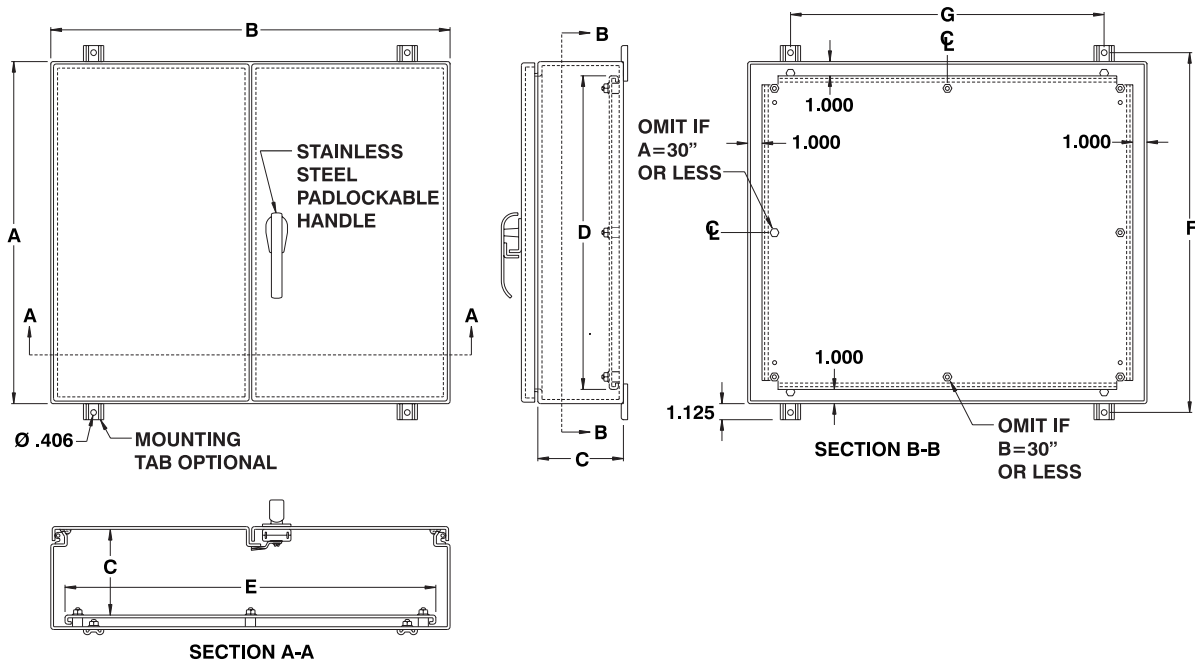
The opening has a curled lip around all sides and there is no center post. The left hand door is

flanged and the 3-point automotive type locking handle is on the right hand door. The captive pins of the concealed hinges can be easily pulled to remove the door. Wall mounting feet are optionally available.

Each enclosure comes complete with a 12 GA inner panel which mounts on welded M8 studs. The enclosures' exterior

are unpainted and brushed smooth. The enclosures' interior and panels are finished with white heat fused polyester powder, electrostatically applied on a pre-treated base.

**CSA Certified / UL Listed
NEMA/EEMAC 12-13 / IP65**



| CATALOG NUMBER | DIMENSIONS | | | | | | | SHIP WGHT LBS. |
|------------------|------------|----|----|----|----|--------|----|----------------|
| | A | B | C | D | E | F | G | |
| 5500 ESSDD244208 | 24 | 42 | 8 | 22 | 40 | 25.250 | 36 | 117 |
| 5500 ESSDD244808 | 24 | 48 | 8 | 22 | 46 | 25.250 | 42 | 130 |
| 5500 ESSDD544208 | 54 | 42 | 8 | 52 | 40 | 55.250 | 36 | 272 |
| 5500 ESSDD244210 | 24 | 42 | 10 | 22 | 40 | 25.250 | 36 | 150 |
| 5500 ESSDD304210 | 30 | 42 | 10 | 28 | 40 | 31.250 | 36 | 152 |
| 5500 ESSDD304810 | 30 | 48 | 10 | 28 | 46 | 31.250 | 42 | 168 |
| 5500 ESSDD306010 | 30 | 60 | 10 | 28 | 58 | 31.250 | 54 | 200 |
| 5500 ESSDD364212 | 36 | 42 | 12 | 34 | 40 | 37.250 | 36 | 220 |
| 5500 ESSDD364812 | 36 | 48 | 12 | 34 | 46 | 37.250 | 42 | 242 |
| 5500 ESSDD366012 | 36 | 60 | 12 | 34 | 58 | 37.250 | 54 | 292 |
| 5500 ESSDD424212 | 42 | 42 | 12 | 40 | 40 | 43.250 | 36 | 197 |
| 5500 ESSDD424812 | 42 | 48 | 12 | 40 | 46 | 43.250 | 42 | 216 |
| 5500 ESSDD426012 | 42 | 60 | 12 | 40 | 58 | 43.250 | 54 | 349 |
| 5500 ESSDD484812 | 48 | 48 | 12 | 46 | 46 | 49.250 | 42 | 225 |

* For painted stainless steel, add suffix 'P' to the catalog number (i.e. : 5500 ESSDD...P)



Data subject to change without notice.



p.482 p.452 p.467 p.463 p.484 p.466 p.524
<http://www.exmweb.com> 1-800-363-2423 Fax : 450-979-4626



info@exmweb.com