

Stainless steel double door enclosures

The 5412 SSDD water, oil & dust tight double door enclosures are used indoors or outdoors in areas where the enclosures may be subject to hosing or to water coming from any direction or where corrosion may be a problem.

The 5412 SSDD are made from quality code gauge (type 304) stainless steel, with corner seems continuously welded. The center post is removable to facilitate the installation of the inner panel. The opening has a curled lip around

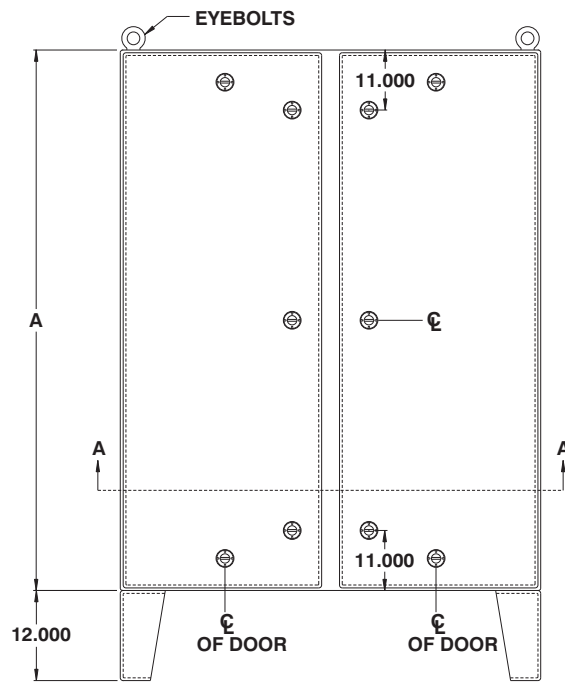
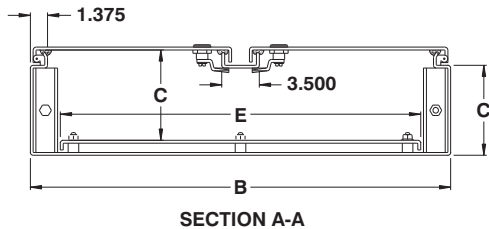
all sides to prevent dripping water from entering the enclosure when the door is open, it also increases rigidity. A high quality robotically poured-in-place seamless gasket ensures a complete and durable water tight seal.

The pins of the concealed heavy duty die cast hinges can be pulled out to remove the door. A ¼ turn locking mechanism ensures positive closing. Two 12" floor stands are welded to the cabinet.

Each enclosure comes complete

with a painted white inner panel which is double bent for maximum rigidity. A panel guide and support is provided to facilitate panel installation. A print pocket is provided. The enclosures' exterior are unpainted and brushed smooth. The enclosures' interior and panels are finished with white heat fused polyester powder, electrostatically applied on a pre-treated base.

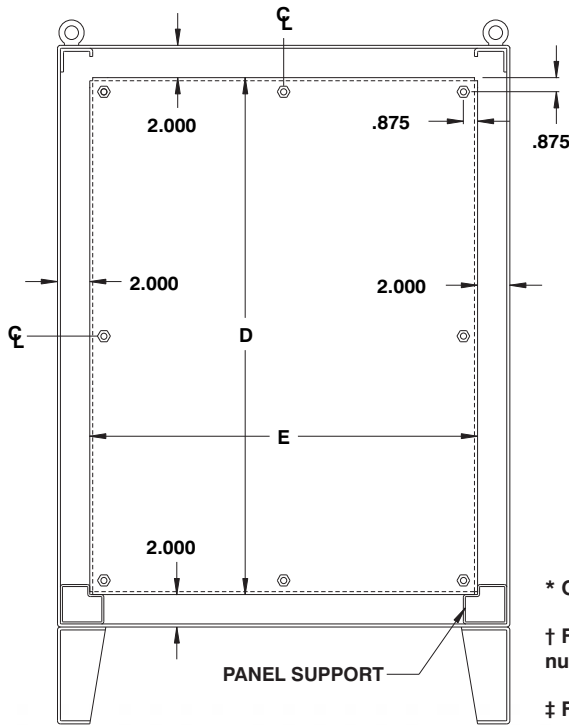
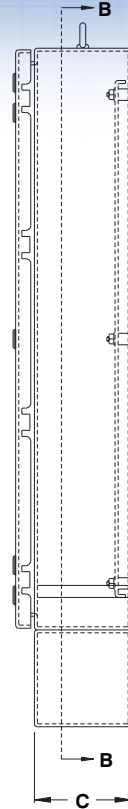
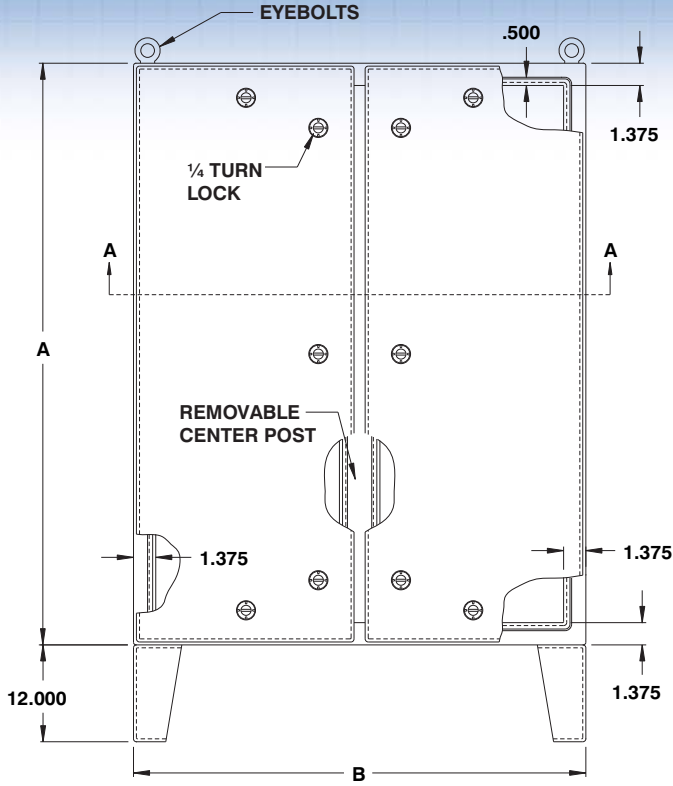
**CSA Certified / UL Listed
NEMA/EEMAC 4X / IP66**



CATALOG NUMBER	DIMENSIONS					SHIP WGHT LBS.
	A	B	C	D	E	
5412 SSDD604812	60	48	12	56	44	463
5412 SSDD606012	60	60	12	56	56	530
5412 SSDD726012	72	60	12	68	56	633
5412 SSDD727212	72	72	12	68	68	751
5412 SSDD727224	72	72	24	68	68	881

Data subject to change without notice.





SECTION B-B

* Only panels with sides 20" or more are double bent.

† For stainless steel type 316, add suffix '6' to the catalog number (ie. 5412 SSDD6048126).

‡ For painted stainless steel, add suffix 'P' to the catalog number (ie. 5412 SSDD604812P).

Data subject to change without notice.



p.480
<http://www.exmweb.com>



p.466



p.463



p.484

☎ 1-800-363-2423



p.467



p.524

Fax : 450-979-4626



p.536



p.509



p.462

info@exmweb.com