

Water, oil & dust tight stainless steel windowed enclosures

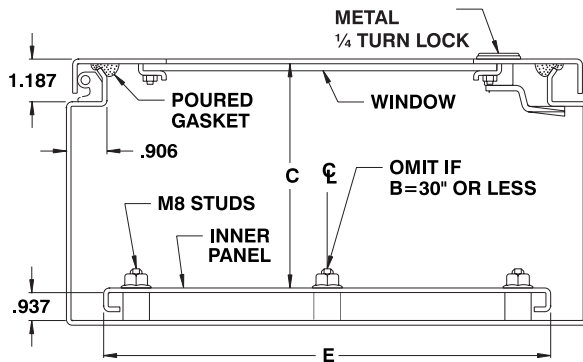
The 5412 ESSW water, oil & dust tight enclosures are used indoors or outdoors in areas where the enclosures may be subject to hosing or to water coming from any direction or for protection against dust, dirt or oil splashing. The 5412 ESSW are made from quality 14 GA or 16 GA (Type 304) stainless steel, with corner seams continuously welded. The window is made with self-extinguishing polycarbonate. The

opening has a curled lip around all sides to prevent dripping water from entering the enclosure when the door is open, it also increases rigidity. A high quality robotically poured-in-place seamless gasket ensures a complete and durable water tight seal. The pins of the concealed hinges can be pulled out to remove the door.

A 1/4 turn locking mechanism ensures positive closing. Internal mounting holes are provided.

Each enclosure comes **complete with a 12 GA inner panel** which is double bent* for maximum rigidity and which mounts on M8 welded studs. The enclosures' exterior are unpainted and brushed smooth. The enclosures' interior and panels are finished with white heat fused polyester powder, electrostatically applied on a pretreaded base.

CSA Certified / UL Listed
NEMA/EEMAC 4X / IP66



| CATALOG NUMBER | DIMENSIONS | | | | | SHIP WGT LBS. |
|-----------------|------------|----|---|----|----|---------------|
| | A | B | C | D | E | |
| 5412 ESSW121206 | 12 | 12 | 6 | 10 | 10 | 19 |
| 5412 ESSW122406 | 12 | 24 | 6 | 10 | 22 | 35 |
| 5412 ESSW161206 | 16 | 12 | 6 | 14 | 10 | 24 |
| 5412 ESSW161606 | 16 | 16 | 6 | 14 | 14 | 31 |
| 5412 ESSW162006 | 16 | 20 | 6 | 14 | 18 | 37 |
| 5412 ESSW201206 | 20 | 12 | 6 | 18 | 10 | 29 |
| 5412 ESSW201606 | 20 | 16 | 6 | 18 | 14 | 37 |
| 5412 ESSW202006 | 20 | 20 | 6 | 18 | 18 | 45 |
| 5412 ESSW202406 | 20 | 24 | 6 | 18 | 22 | 53 |
| 5412 ESSW241206 | 24 | 12 | 6 | 22 | 10 | 35 |
| 5412 ESSW241606 | 24 | 16 | 6 | 22 | 14 | 44 |
| 5412 ESSW242006 | 24 | 20 | 6 | 22 | 18 | 53 |
| 5412 ESSW242406 | 24 | 24 | 6 | 22 | 22 | 62 |
| 5412 ESSW301606 | 30 | 16 | 6 | 28 | 14 | 53 |
| 5412 ESSW302006 | 30 | 20 | 6 | 28 | 18 | 65 |
| 5412 ESSW302406 | 30 | 24 | 6 | 28 | 22 | 76 |
| 5412 ESSW362406 | 36 | 24 | 6 | 34 | 22 | 90 |
| 5412 ESSW363006 | 36 | 30 | 6 | 34 | 28 | 109 |
| 5412 ESSW122408 | 12 | 24 | 8 | 10 | 22 | 38 |
| 5412 ESSW161208 | 16 | 12 | 8 | 14 | 10 | 27 |
| 5412 ESSW161608 | 16 | 16 | 8 | 14 | 14 | 34 |
| 5412 ESSW162008 | 16 | 20 | 8 | 14 | 18 | 41 |
| 5412 ESSW201208 | 20 | 12 | 8 | 18 | 10 | 33 |
| 5412 ESSW201608 | 20 | 16 | 8 | 18 | 14 | 41 |
| 5412 ESSW202008 | 20 | 20 | 8 | 18 | 18 | 49 |
| 5412 ESSW202408 | 20 | 24 | 8 | 18 | 22 | 57 |
| 5412 ESSW241208 | 24 | 12 | 8 | 22 | 10 | 38 |
| 5412 ESSW241608 | 24 | 16 | 8 | 22 | 14 | 48 |
| 5412 ESSW242008 | 24 | 20 | 8 | 22 | 18 | 57 |
| 5412 ESSW242408 | 24 | 24 | 8 | 22 | 22 | 67 |
| 5412 ESSW243008 | 24 | 30 | 8 | 22 | 28 | 81 |
| 5412 ESSW301208 | 30 | 12 | 8 | 28 | 10 | 46 |
| 5412 ESSW301608 | 30 | 16 | 8 | 28 | 14 | 58 |
| 5412 ESSW302008 | 30 | 20 | 8 | 28 | 18 | 70 |
| 5412 ESSW302408 | 30 | 24 | 8 | 28 | 22 | 81 |
| 5412 ESSW303008 | 30 | 30 | 8 | 28 | 28 | 98 |
| 5412 ESSW303608 | 30 | 36 | 8 | 28 | 34 | 116 |
| 5412 ESSW362408 | 36 | 24 | 8 | 34 | 22 | 95 |
| 5412 ESSW363008 | 36 | 30 | 8 | 34 | 28 | 116 |
| 5412 ESSW363608 | 36 | 36 | 8 | 34 | 34 | 136 |
| 5412 ESSW422408 | 42 | 24 | 8 | 40 | 22 | 110 |
| 5412 ESSW423008 | 42 | 30 | 8 | 40 | 28 | 133 |

Data subject to change without notice.



p.441



p.442



p.442



p.442



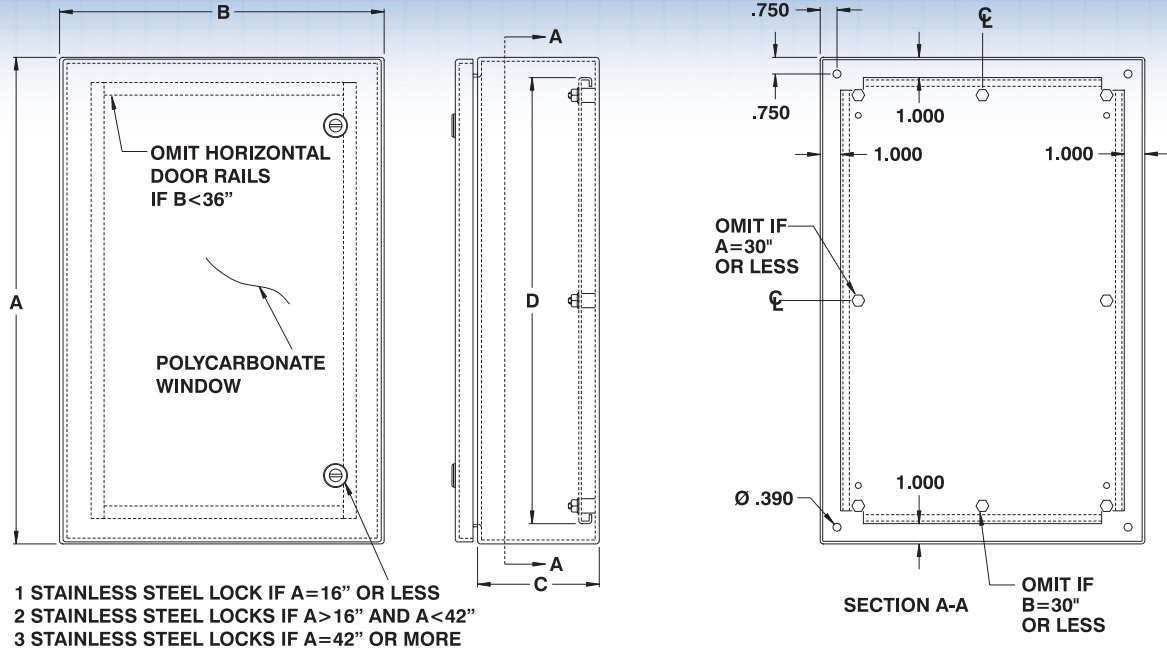
p.449



p.449



p.452



| CATALOG NUMBER | DIMENSIONS | | | | | SHIP WGHT LBS. |
|-----------------|------------|----|----|----|----|----------------|
| | A | B | C | D | E | |
| 5412 ESSW423608 | 42 | 36 | 8 | 40 | 34 | 156 |
| 5412 ESSW482408 | 48 | 24 | 8 | 46 | 22 | 124 |
| 5412 ESSW483008 | 48 | 30 | 8 | 46 | 28 | 150 |
| 5412 ESSW483608 | 48 | 36 | 8 | 46 | 34 | 177 |
| 5412 ESSW603608 | 60 | 36 | 8 | 58 | 34 | 218 |
| 5412 ESSW161210 | 16 | 12 | 10 | 14 | 10 | 30 |
| 5412 ESSW201610 | 20 | 16 | 10 | 18 | 14 | 44 |
| 5412 ESSW202010 | 20 | 20 | 10 | 18 | 18 | 53 |
| 5412 ESSW241210 | 24 | 12 | 10 | 22 | 10 | 42 |
| 5412 ESSW242010 | 24 | 20 | 10 | 22 | 18 | 62 |
| 5412 ESSW242410 | 24 | 24 | 10 | 22 | 22 | 71 |
| 5412 ESSW302010 | 30 | 20 | 10 | 28 | 18 | 74 |
| 5412 ESSW302410 | 30 | 24 | 10 | 28 | 22 | 86 |
| 5412 ESSW362410 | 36 | 24 | 10 | 34 | 22 | 101 |
| 5412 ESSW363010 | 36 | 30 | 10 | 34 | 28 | 122 |
| 5412 ESSW423010 | 42 | 30 | 10 | 40 | 28 | 140 |
| 5412 ESSW423610 | 42 | 36 | 10 | 40 | 34 | 164 |
| 5412 ESSW483010 | 48 | 30 | 10 | 46 | 28 | 158 |
| 5412 ESSW483610 | 48 | 36 | 10 | 46 | 34 | 185 |
| 5412 ESSW603610 | 60 | 36 | 10 | 58 | 34 | 227 |
| 5412 ESSW201612 | 20 | 16 | 12 | 18 | 14 | 48 |
| 5412 ESSW202012 | 20 | 20 | 12 | 18 | 18 | 57 |
| 5412 ESSW202412 | 20 | 24 | 12 | 18 | 22 | 66 |
| 5412 ESSW242012 | 24 | 20 | 12 | 22 | 18 | 66 |
| 5412 ESSW242412 | 24 | 24 | 12 | 22 | 22 | 76 |
| 5412 ESSW302412 | 30 | 24 | 12 | 28 | 22 | 92 |
| 5412 ESSW303012 | 30 | 30 | 12 | 28 | 28 | 110 |
| 5412 ESSW362412 | 36 | 24 | 12 | 34 | 22 | 107 |

| CATALOG NUMBER | DIMENSIONS | | | | | SHIP WGHT LBS. |
|-----------------|------------|----|----|----|----|----------------|
| | A | B | C | D | E | |
| 5412 ESSW363012 | 36 | 30 | 12 | 34 | 28 | 129 |
| 5412 ESSW363612 | 36 | 36 | 12 | 34 | 34 | 150 |
| 5412 ESSW422412 | 42 | 24 | 12 | 40 | 22 | 118 |
| 5412 ESSW423012 | 42 | 30 | 12 | 40 | 28 | 147 |
| 5412 ESSW423612 | 42 | 36 | 12 | 40 | 34 | 172 |
| 5412 ESSW482412 | 48 | 24 | 12 | 46 | 22 | 138 |
| 5412 ESSW483612 | 48 | 36 | 12 | 46 | 34 | 193 |
| 5412 ESSW602412 | 60 | 24 | 12 | 58 | 22 | 169 |
| 5412 ESSW603612 | 60 | 36 | 12 | 58 | 34 | 236 |
| 5412 ESSW723012 | 72 | 30 | 12 | 70 | 28 | 240 |
| 5412 ESSW723612 | 72 | 36 | 12 | 70 | 34 | 279 |
| 5412 ESSW242016 | 24 | 20 | 16 | 22 | 18 | 74 |
| 5412 ESSW242416 | 24 | 24 | 16 | 22 | 22 | 86 |
| 5412 ESSW302416 | 30 | 24 | 16 | 28 | 22 | 102 |
| 5412 ESSW362416 | 36 | 24 | 16 | 34 | 22 | 119 |
| 5412 ESSW363016 | 36 | 30 | 16 | 34 | 28 | 142 |
| 5412 ESSW423616 | 42 | 36 | 16 | 40 | 34 | 187 |
| 5412 ESSW483616 | 48 | 36 | 16 | 46 | 34 | 210 |
| 5412 ESSW603616 | 60 | 36 | 16 | 58 | 14 | 255 |
| 5412 ESSW723016 | 72 | 30 | 16 | 70 | 28 | 260 |
| 5412 ESSW723616 | 72 | 36 | 16 | 70 | 34 | 301 |
| 5412 ESSW302420 | 30 | 24 | 20 | 28 | 22 | 113 |
| 5412 ESSW363020 | 36 | 30 | 20 | 34 | 28 | 155 |
| 5412 ESSW483620 | 48 | 36 | 20 | 46 | 34 | 226 |
| 5412 ESSW603620 | 60 | 36 | 20 | 58 | 34 | 274 |
| 5412 ESSW723020 | 72 | 30 | 20 | 70 | 28 | 280 |
| 5412 ESSW302424 | 30 | 24 | 24 | 28 | 22 | 123 |
| 5412 ESSW723024 | 72 | 30 | 24 | 70 | 28 | 300 |

* Only panels with sides 20" or more are double bent.

† For stainless steel type 316, add suffix '6' to the catalog number (ie. 5412 ESSW1612086).

Data subject to change without notice.



p.466 p.463 p.484 p.467 p.524 p.536 p.509 p.462

<http://www.exmweb.com>

☎ 1-800-363-2423

Fax : 450-979-4626

info@exmweb.com