

Stainless steel quarter turn cover enclosures

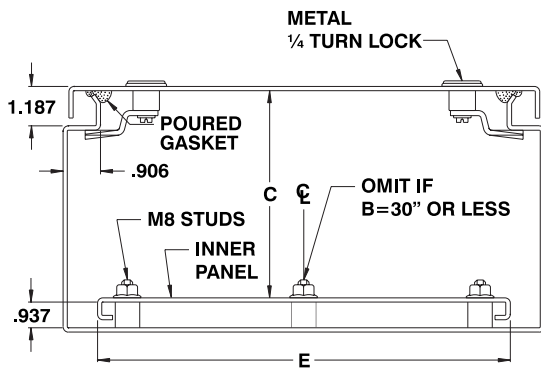
The 5412 ESSQT water, oil & dust tight enclosures are used indoors or outdoors in areas where a corrosion problem exists or where the enclosures may be subject to hosing or to water coming from any direction or for protection against dust, dirt or oil splashing. The 5412 ESSQT are made from quality 14 GA or 16 GA (Type 304) stainless steel, with corner seems continuously welded. The opening has a curled

lip around all sides to prevent dripping water from entering the enclosure when the cover has been removed, it also increases rigidity. A high quality robotically poured-in-place seamless gasket ensures a complete and durable water tight seal.

Quarter turn locking mechanisms on all sides ensure positive closing. Internal mounting holes are provided. Each enclosure comes **complete with a 12 GA inner**

panel which is double bent* for maximum rigidity and which mounts on M8 welded studs. The enclosures' exterior are unpainted and brushed smooth. The enclosures' interior and panels are finished with white heat fused polyester powder, electrostatically applied on a pretreated base.

**CSA Certified / UL Listed
NEMA/EEMAC 4X / IP66**



CATALOG NUMBER	DIMENSIONS					SHIP WGT LBS.
	A	B	C	D	E	
5412 ESSQT121206	12	12	6	10	10	19
5412 ESSQT122406	12	24	6	10	22	35
5412 ESSQT161206	16	12	6	14	10	24
5412 ESSQT161606	16	16	6	14	14	31
5412 ESSQT162006	16	20	6	14	18	37
5412 ESSQT201206	20	12	6	18	10	29
5412 ESSQT201606	20	16	6	18	14	37
5412 ESSQT202006	20	20	6	18	18	45
5412 ESSQT202406	20	24	6	18	22	53
5412 ESSQT241206	24	12	6	22	10	35
5412 ESSQT241606	24	16	6	22	14	44
5412 ESSQT242006	24	20	6	22	18	53
5412 ESSQT242406	24	24	6	22	22	62
5412 ESSQT301606	30	16	6	28	14	53
5412 ESSQT302006	30	20	6	28	18	65
5412 ESSQT302406	30	24	6	28	22	76
5412 ESSQT362406	36	24	6	34	22	90
5412 ESSQT363006	36	30	6	34	28	109
5412 ESSQT122408	12	24	8	10	22	38
5412 ESSQT161208	16	12	8	14	10	27
5412 ESSQT161608	16	16	8	14	14	34
5412 ESSQT162008	16	20	8	14	18	41
5412 ESSQT201208	20	12	8	18	10	33
5412 ESSQT201608	20	16	8	18	14	41
5412 ESSQT202008	20	20	8	18	18	49
5412 ESSQT202408	20	24	8	18	22	57
5412 ESSQT241208	24	12	8	22	10	38
5412 ESSQT241608	24	16	8	22	14	48
5412 ESSQT242008	24	20	8	22	18	57
5412 ESSQT242408	24	24	8	22	22	67
5412 ESSQT243008	24	30	8	22	28	81
5412 ESSQT301208	30	12	8	28	10	46
5412 ESSQT301608	30	16	8	28	14	58
5412 ESSQT302008	30	20	8	28	18	70
5412 ESSQT302408	30	24	8	28	22	81
5412 ESSQT303008	30	30	8	28	28	98
5412 ESSQT303608	30	36	8	28	34	116
5412 ESSQT362408	36	24	8	34	22	95
5412 ESSQT363008	36	30	8	34	28	116
5412 ESSQT363608	36	36	8	34	34	136
5412 ESSQT422408	42	24	8	40	22	110
5412 ESSQT423008	42	30	8	40	28	133

Data subject to change without notice.



p.441



p.449



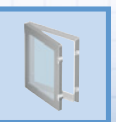
p.449



p.452



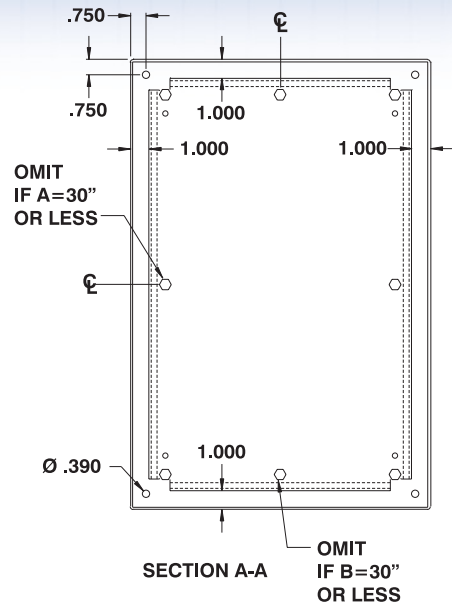
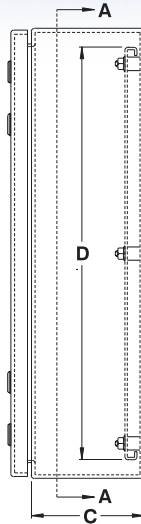
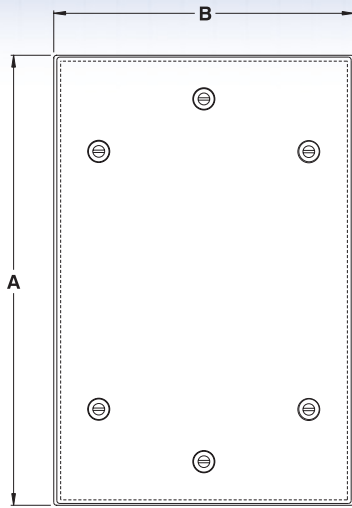
p.482



p.480



p.466



CATALOG NUMBER	DIMENSIONS					SHIP WGHT LBS.
	A	B	C	D	E	
5412 ESSQT423608	42	36	8	40	34	156
5412 ESSQT482408	48	24	8	46	22	124
5412 ESSQT483008	48	30	8	46	28	150
5412 ESSQT483608	48	36	8	46	34	177
5412 ESSQT603608	60	36	8	58	34	218
5412 ESSQT161210	16	12	10	14	10	30
5412 ESSQT201610	20	16	10	18	14	44
5412 ESSQT202010	20	20	10	18	18	53
5412 ESSQT241210	24	12	10	22	10	42
5412 ESSQT242010	24	20	10	22	18	62
5412 ESSQT242410	24	24	10	22	22	71
5412 ESSQT302010	30	20	10	28	18	74
5412 ESSQT302410	30	24	10	28	22	86
5412 ESSQT362410	36	24	10	34	22	101
5412 ESSQT363010	36	30	10	34	28	122
5412 ESSQT423010	42	30	10	40	28	140
5412 ESSQT423610	42	36	10	40	34	164
5412 ESSQT483010	48	30	10	46	28	158
5412 ESSQT483610	48	36	10	46	34	185
5412 ESSQT603610	60	36	10	58	34	227
5412 ESSQT201612	20	16	12	18	14	48
5412 ESSQT202012	20	20	12	18	18	57
5412 ESSQT202412	20	24	12	18	22	66
5412 ESSQT242012	24	20	12	22	18	66
5412 ESSQT242412	24	24	12	22	22	76
5412 ESSQT302412	30	24	12	28	22	92
5412 ESSQT303012	30	30	12	28	28	110
5412 ESSQT362412	36	24	12	34	22	107

CATALOG NUMBER	DIMENSIONS					SHIP WGHT LBS.
	A	B	C	D	E	
5412 ESSQT363012	36	30	12	34	28	129
5412 ESSQT363612	36	36	12	34	34	150
5412 ESSQT422412	42	24	12	40	22	118
5412 ESSQT423012	42	30	12	40	28	147
5412 ESSQT423612	42	36	12	40	34	172
5412 ESSQT482412	48	24	12	46	22	138
5412 ESSQT483612	48	36	12	46	34	193
5412 ESSQT602412	60	24	12	58	22	169
5412 ESSQT603612	60	36	12	58	34	236
5412 ESSQT723012	72	30	12	70	28	240
5412 ESSQT723612	72	36	12	70	34	279
5412 ESSQT242016	24	20	16	22	18	74
5412 ESSQT242416	24	24	16	22	22	86
5412 ESSQT302416	30	24	16	28	22	102
5412 ESSQT362416	36	24	16	34	22	119
5412 ESSQT363016	36	30	16	34	28	142
5412 ESSQT423616	42	36	16	40	34	187
5412 ESSQT483616	48	36	16	46	34	210
5412 ESSQT603616	60	36	16	58	14	255
5412 ESSQT723016	72	30	16	70	28	260
5412 ESSQT723616	72	36	16	70	34	301
5412 ESSQT302420	30	24	20	28	22	113
5412 ESSQT363020	36	30	20	34	28	155
5412 ESSQT483620	48	36	20	46	34	226
5412 ESSQT603620	60	36	20	58	34	274
5412 ESSQT723020	72	30	20	70	28	280
5412 ESSQT302424	30	24	24	28	22	123
5412 ESSQT723024	72	30	24	70	28	300

* Only panels with sides 20" or more are double bent.

† For stainless steel type 316, add suffix '6' to the catalog number (ie. 5412 ESSQT1612086).

Data subject to change without notice.



p.484

<http://www.exmweb.com>



p.467



p.518



p.524

1-800-363-2423



p.536



p.509

Fax : 450-979-4626



info@exmweb.com