

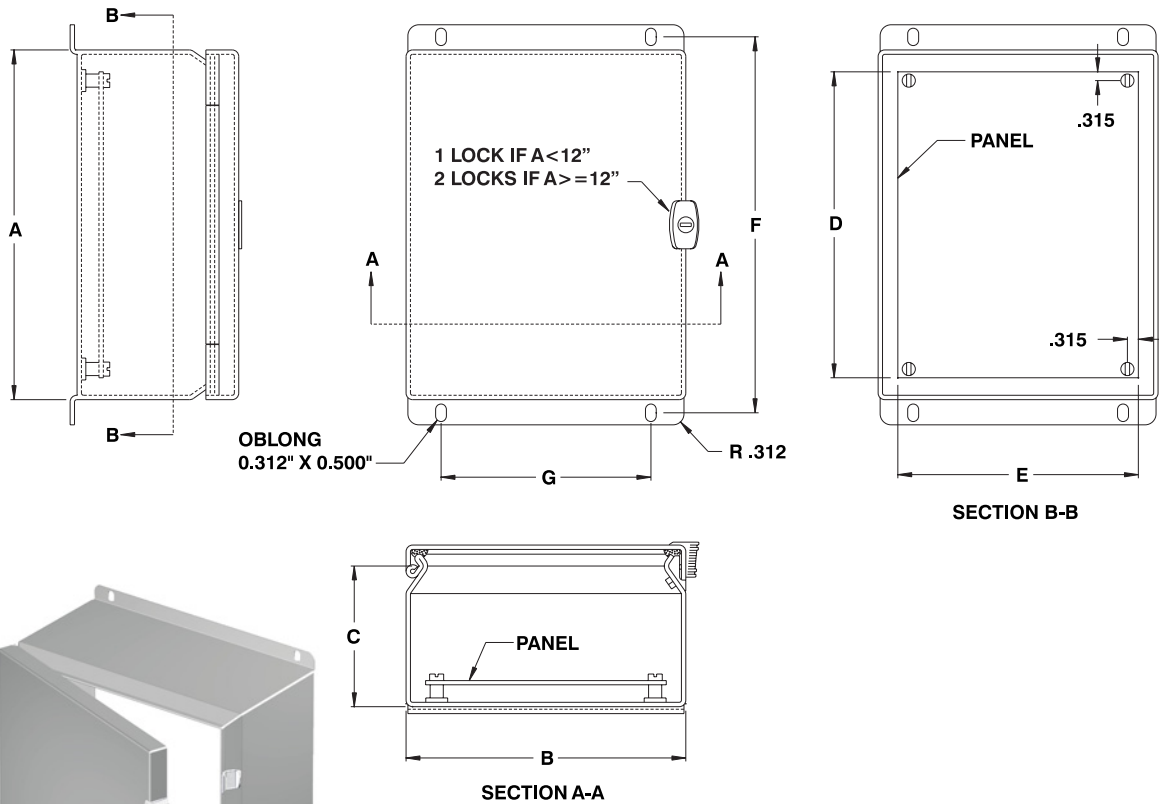
EMI/RFI shielded stainless steel NEMA 4X/12 enclosures

The 5412 ESSPCHE are used indoors or outdoors to protect the enclosed controls from dust, dirt, oil and water splashing. A special conductive gasket protects the contents against a certain degree of electromagnetic interference. The 5412 ESSPCHE are made from quality 16 GA (Type 304) stainless steel, with corner seams continuously welded. The opening has a curled lip around all sides to prevent dripping water from entering the enclosure when the door is open, it also increases rigidity. This

enclosure features incorporated hinging, meaning that the hinge is a part of the box and part of the cover. This minimizes the amount of welding and allows the door to be easily removed by pulling out the full length mushroom head hinge pin. **EXM's exclusive flange-mounted 1/4 turn locking system** ensures positive closing while leaving a full workable mounting surface on the door. Each enclosure comes **complete with a 14 GA inner panel** which mounts on weld nuts. The four external wall-mounting holes

are oblong to facilitate installation and the mounting feet are incorporated into the body of the enclosure. The powder coating further protects the stainless steel against the elements. Enclosures and panels are finished with heat fused polyester powder, electrostatically applied on a pretreated base. Box is ANSI/ASA 61 gray, panel is white (other colors available).

NEMA/EEMAC 4X / IP66



CATALOG NUMBER	DIMENSIONS							SHIP WGHT LBS.
	A	B	C	D	E	F	G	
5412 ESSPCHE060403	6	4	3	4.88	2.88	6.75	2	3
5412 ESSPCHE060604	6	6	4	4.88	4.88	6.75	4	5
5412 ESSPCHE080604	8	6	4	6.88	4.88	8.75	4	6
5412 ESSPCHE100804	10	8	4	8.88	6.88	10.75	6	10
5412 ESSPCHE121005	12	10	5	10.88	8.88	12.75	8	16
5412 ESSPCHE141206	14	12	6	12.88	10.88	14.75	10	19
5412 ESSPCHE161406	16	14	6	14.88	12.88	16.75	12	23

Data subject to change without notice.

