

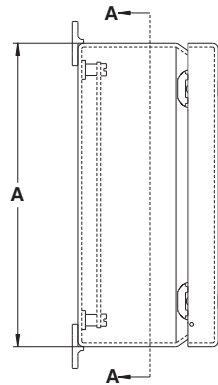
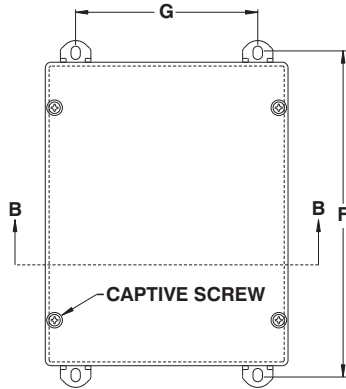
Oil & dust tight screwed cover enclosure

The 5412 ESSC screw cover oil and dust tight enclosures are used indoors or outdoors to protect the enclosed controls from dust, dirt, oil and water splashing. The box and cover are made from 16 GA steel with all seams continuously welded. The opening has a curled lip around all sides to prevent dripping water from entering the enclosure when the

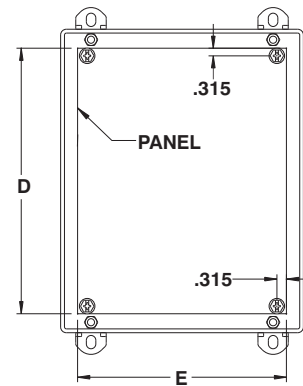
door is open, it also increases rigidity. A high quality robotically poured-in-place seamless gasket ensures a complete and durable water tight seal. The enclosure can be internally mounted or externally mounted using the included die cast wall mounting feet. These feet have oblong holes to facilitate installation. **Each enclosure comes com-**

plete with a 14 GA inner panel which mounts on weldnuts. Enclosures and panels are finished with heat fused polyester powder, electrostatically applied on a pretreated base. Box is ANSI/ASA 61 gray, panel is white (other colors available).

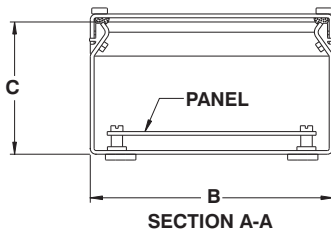
**CSA Certified / UL Listed
NEMA/EEMAC 4-12 / IP66**



NOTE: - TWO MOUNTING FEET
IF B=4" OR LESS



SECTION B-B



SECTION A-A

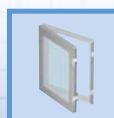


CATALOG NUMBER	DIMENSIONS							SHIP WTGT LBS.
	A	B	C	D	E	F	G	
5412 ESSC120202	12	2	2.312	No.Pan.	No.Pan.	12.750	----	3
5412 ESSC040403	4	4	3.312	No.Pan.	No.Pan.	4.750	----	2
5412 ESSC060403	6	4	3.312	4.880	2.880	6.750	----	3
5412 ESSC060404	6	4	4.312	4.880	2.880	6.750	----	4
5412 ESSC060604	6	6	4.312	4.880	4.880	6.750	4.000	5
5412 ESSC080604	8	6	4.312	6.880	4.880	8.750	4.000	6
5412 ESSC080804	8	8	4.312	6.880	6.880	8.750	6.000	8
5412 ESSC100804	10	8	4.312	8.880	6.880	10.750	6.000	9
5412 ESSC101004	10	10	4.312	8.880	8.880	10.750	8.000	10
5412 ESSC120404	12	4	4.312	10.880	2.880	12.750	----	6
5412 ESSC160404	16	4	4.312	14.880	2.880	16.750	----	6
5412 ESSC121005	12	10	5.312	10.880	8.880	12.750	8.000	13
5412 ESSC080606	8	6	6.312	8.880	4.880	8.750	4.000	7
5412 ESSC100806	10	8	6.312	8.880	6.880	10.750	6.000	10
5412 ESSC101006	10	10	6.312	8.880	8.880	10.750	8.000	11
5412 ESSC120606	12	6	6.312	10.880	4.880	12.750	4.000	9
5412 ESSC121206	12	12	6.312	10.880	10.880	12.750	10.000	15
5412 ESSC141206	14	12	6.312	12.880	10.880	14.750	10.000	19
5412 ESSC160606	16	6	6.312	14.880	4.880	16.750	4.000	11
5412 ESSC161406	16	14	6.312	14.880	12.880	16.750	12.000	23
5412 ESSC141208	14	12	8.312	12.880	10.880	14.750	10.000	20
5412 ESSC161410	16	14	10.312	14.880	12.880	16.750	12.000	25

Data subject to change without notice.



p.482



p.479



p.449



p.467



p.462