

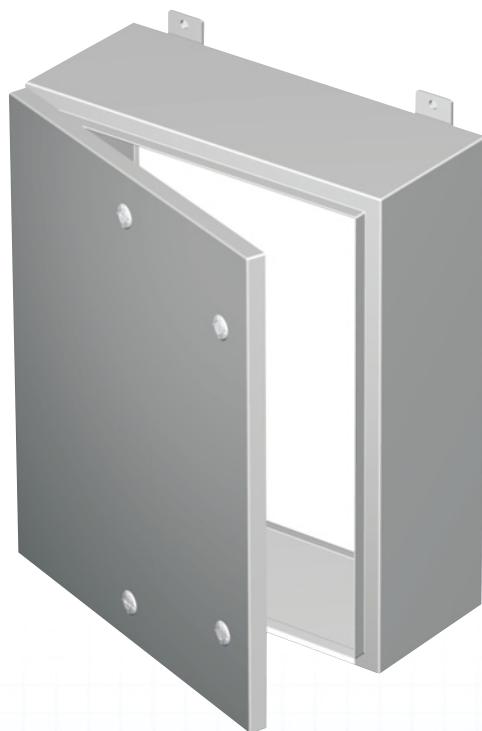
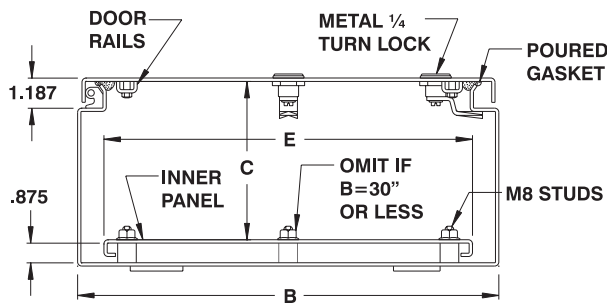
## Water, oil & dust tight pressurization enclosures

The 5412 ESPR pressurization enclosures are in conjunction with a purging/pressurization system in hazardous locations as an alternative to NEMA 7 and 9 enclosures. They provide protection against dust, oil and jets of water coming from any direction. The 5412 ESPR are made from quality 14 GA or 16 GA steel, with corner seams continuously welded. The opening has a curled lip around all sides to prevent drip-

ping water from entering the enclosure when the door is open, it also increases rigidity. A high quality robotically poured-in-place seamless gasket ensures a complete and durable water tight seal. Special hinges, designed especially for use in pressurization enclosures, provide optimal protection. The door is secured by a series of quarter-turn locks. External mounting tabs are weld-

ed at the back of the cabinet. Each enclosure comes **complete with a 12 GA inner panel** which is double bent\* for maximum rigidity and which mounts on M8 welded studs. Enclosures and panels are finished with heat fused polyester powder, electrostatically applied on a pretreaded base. Box is ANSI/ASA 61 gray, panel is white.

**CSA Certified / UL Listed**  
**NEMA/EEMAC 4-12 / IP66**



CATALOG NUMBER	DIMENSIONS					SHIP WGT LBS.
	A	B	C	D	E	
5412 ESPR121206	12	12	6	10	10	19
5412 ESPR122406	12	24	6	10	22	35
5412 ESPR161206	16	12	6	14	10	24
5412 ESPR161606	16	16	6	14	14	31
5412 ESPR162006	16	20	6	14	18	37
5412 ESPR201206	20	12	6	18	10	29
5412 ESPR201606	20	16	6	18	14	37
5412 ESPR202006	20	20	6	18	18	45
5412 ESPR202406	20	24	6	18	22	53
5412 ESPR241206	24	12	6	22	10	35
5412 ESPR241606	24	16	6	22	14	44
5412 ESPR242006	24	20	6	22	18	53
5412 ESPR242406	24	24	6	22	22	62
5412 ESPR301606	30	16	6	28	14	53
5412 ESPR302006	30	20	6	28	18	65
5412 ESPR302406	30	24	6	28	22	76
5412 ESPR362406	36	24	6	34	22	90
5412 ESPR363006	36	30	6	34	28	109
5412 ESPR122408	12	24	8	10	22	38
5412 ESPR161208	16	12	8	14	10	27
5412 ESPR161608	16	16	8	14	14	34
5412 ESPR162008	16	20	8	14	18	41
5412 ESPR201208	20	12	8	18	10	33
5412 ESPR201608	20	16	8	18	14	41
5412 ESPR202008	20	20	8	18	18	49
5412 ESPR202408	20	24	8	18	22	57
5412 ESPR241208	24	12	8	22	10	38
5412 ESPR241608	24	16	8	22	14	48
5412 ESPR242008	24	20	8	22	18	57
5412 ESPR242408	24	24	8	22	22	67
5412 ESPR243008	24	30	8	22	28	81
5412 ESPR301208	30	12	8	28	10	46
5412 ESPR301608	30	16	8	28	14	58
5412 ESPR302008	30	20	8	28	18	70
5412 ESPR302408	30	24	8	28	22	81
5412 ESPR303008	30	30	8	28	28	98
5412 ESPR303608	30	36	8	28	34	116
5412 ESPR362408	36	24	8	34	22	95
5412 ESPR363008	36	30	8	34	28	116
5412 ESPR363608	36	36	8	34	34	136
5412 ESPR422408	42	24	8	40	22	110
5412 ESPR423008	42	30	8	40	28	133

Data subject to change without notice.

