

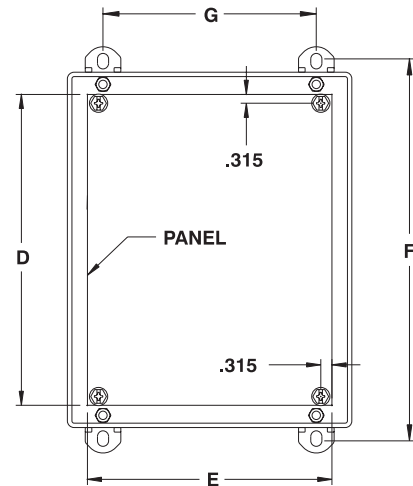
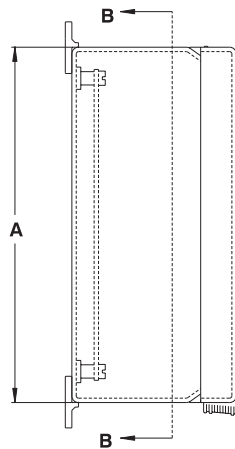
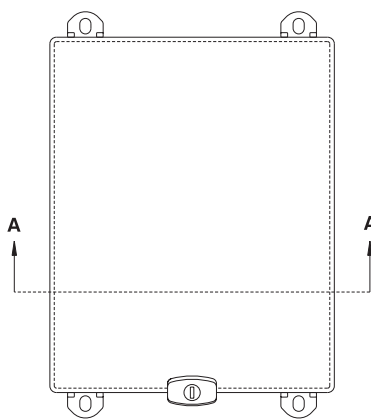
Oil & dust tight lift off cover enclosures

The 5412 ESLC lift off cover, water oil and dust tight enclosures are used indoors or outdoors, in areas where the enclosures may be subjected to hosing or to water coming from any direction. The box and cover are made from 16 GA steel with all seams continuously welded. A high quality robotically poured-in-place seamless gasket ensures a complete and durable water tight

seal. The opening has a curled lip around all sides to prevent dripping water from entering when the door is open, it also increases rigidity. A flange-mounted ¼ turn lock ensures positive closing while leaving a full workable mounting surface on the door. The enclosure can be internally mounted or externally mounted using the included die cast wall mounting feet. These feet have

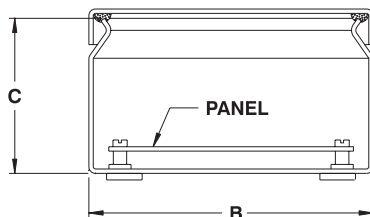
oblong holes to facilitate installation. **Each enclosure comes complete with a 14 GA steel flat inner panel** which mounts on welded nuts. Enclosures and panels are finished with heat fused polyester, electrostatically applied on a pretreated base. Box is ANSI/ASA 61 gray, panel is white.

**CSA Certified / UL Listed
NEMA/EEMAC 4-12 / IP66**



SECTION B-B

NOTE : 1 LOCK IF B=10" OR LESS
2 LOCKS IF B=12" OR MORE



SECTION A-A



CATALOG NUMBER	DIMENSIONS							SHIP WGHT LBS.
	A	B	C	D	E	F	G	
5412 ESLC040403	4	4	3	No.Pan.	No.Pan.	4.75	2	2
5412 ESLC060403	6	4	3	4.88	2.88	6.75	2	3
5412 ESLC060404	6	4	4	4.88	2.88	6.75	2	4
5412 ESLC060604	6	6	4	4.88	4.88	6.75	4	5
5412 ESLC080604	8	6	4	6.88	4.88	8.75	4	6
5412 ESLC100804	10	8	4	8.88	6.88	10.75	6	10
5412 ESLC121005	12	10	5	10.88	8.88	12.75	8	13
5412 ESLC141206	14	12	6	12.88	10.88	14.75	10	19
5412 ESLC161406	16	14	6	14.88	12.88	16.75	12	23
5412 ESLC141208	14	12	8	12.88	10.88	14.75	10	20
5412 ESLC161410	16	14	10	14.88	12.88	16.75	12	25

Data subject to change without notice.



p.439
<http://www.exmweb.com>



p.439



p.439



p.524

1-800-363-2423



p.536



p.494

Fax : 450-979-4626



p.462



info@exmweb.com