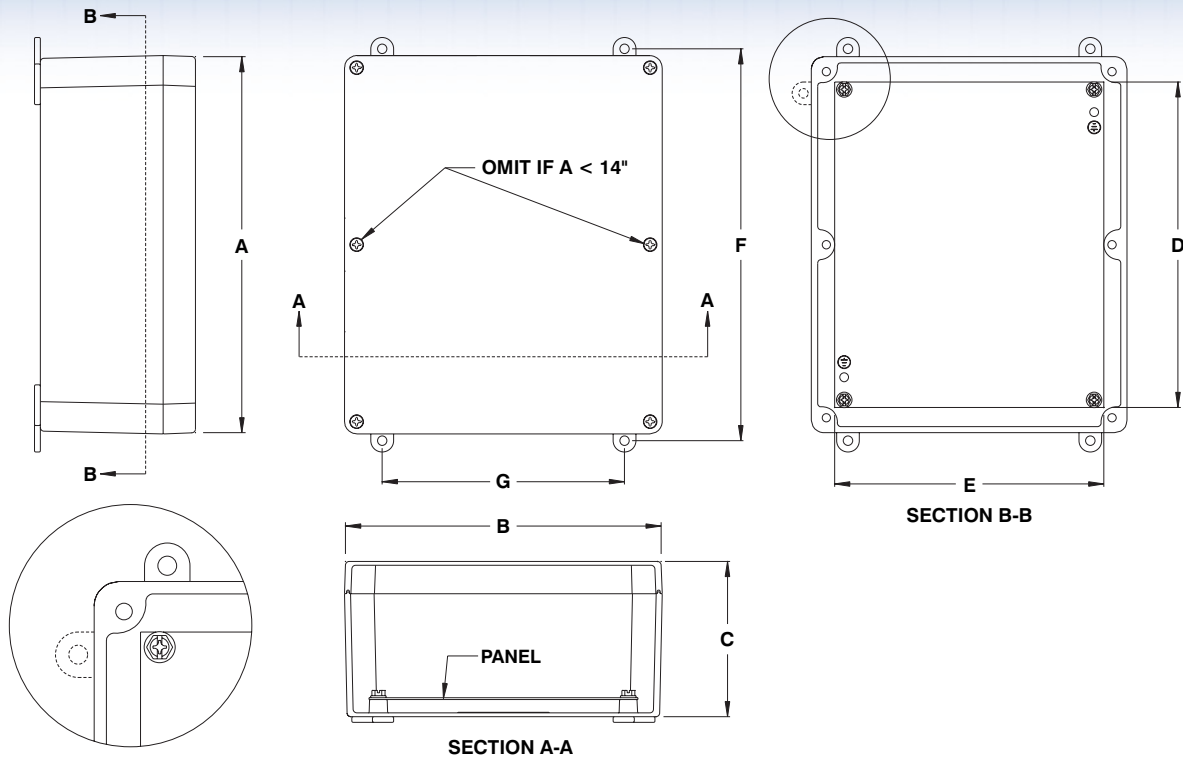


Screw cover corrosion resistant fiberglass enclosures



CATALOG NUMBER	DIMENSIONS							SHIP WGHT LBS.
	A	B	C	D	E	F	G	
5412 ESFRS040403	4.5	4.5	3.125	--	--	4.937	2	1
5412 ESFRS040604	4.5	6.5	4.125	2.88	4.88	4.937	4	2
5412 ESFRS060404	6.5	4.5	4.125	4.88	2.88	6.937	2	2
5412 ESFRS060604	6.5	6.5	4.125	4.88	4.88	6.937	4	2
5412 ESFRS060804	6.5	8.5	4.125	4.88	6.88	6.937	6	2
5412 ESFRS080604	8.5	6.5	4.125	6.88	4.88	8.937	4	2
5412 ESFRS080804	8.5	8.5	4.125	6.88	6.88	8.937	6	3
5412 ESFRS081004	8.5	10.5	4.125	6.88	8.88	8.937	8	4
5412 ESFRS100804	10.5	8.5	4.125	8.88	6.88	10.937	6	4
5412 ESFRS101205	10.5	12.5	5.125	8.88	10.88	10.937	10	7
5412 ESFRS121005	12.5	10.5	5.125	10.88	8.88	12.937	8	7
5412 ESFRS081006	8.5	10.5	6.125	6.88	8.88	8.937	8	6
5412 ESFRS100806	10.5	8.5	6.125	8.88	6.88	10.937	6	6
5412 ESFRS121206	12.5	12.5	6.125	10.88	10.88	12.937	10	10
5412 ESFRS121406	12.5	14.5	6.125	10.88	12.88	12.937	12	12
5412 ESFRS141206	14.5	12.5	6.125	12.88	10.88	14.937	10	12



Data subject to change without notice.



p.352

p.352

<http://www.exmweb.com>

1-800-363-2423

Fax : 450-979-4626



info@exmweb.com