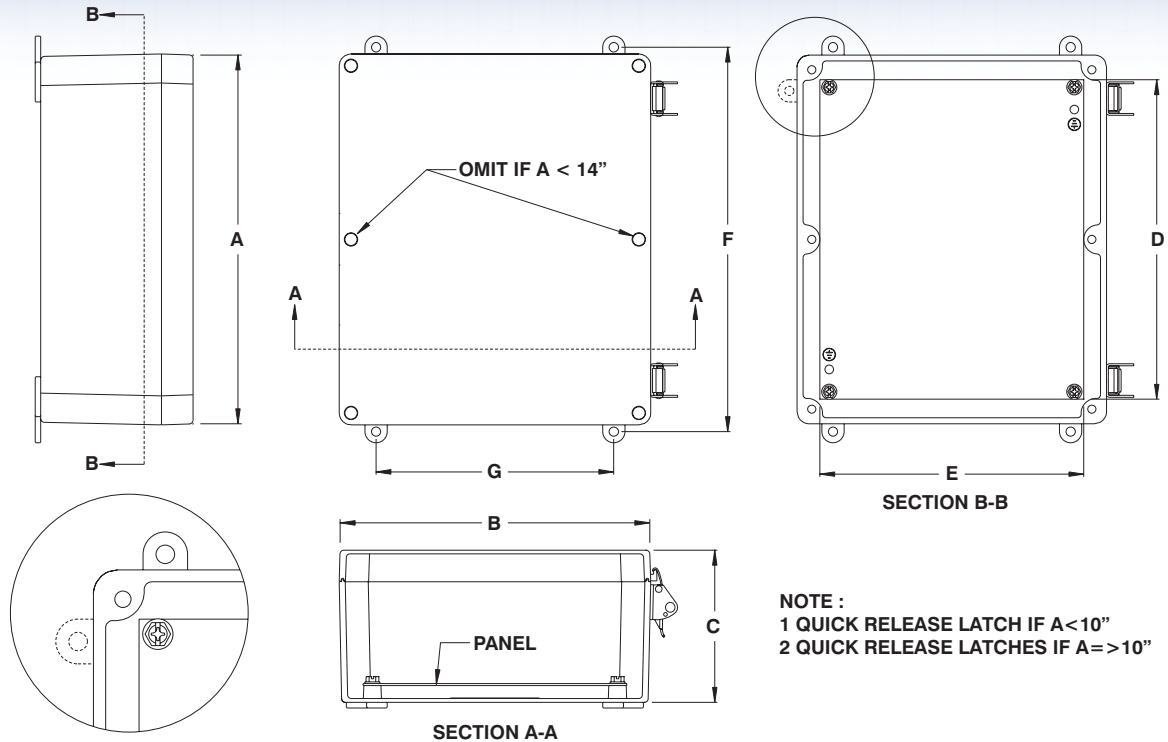


Quick release cover fiberglass enclosures



CATALOG NUMBER	DIMENSIONS							SHIP WGHT LBS.
	A	B	C	D	E	F	G	
5412 ESFRQ040403	4.5	4.5	3.125	--	--	4.937	2	1
5412 ESFRQ060404	6.5	4.5	4.125	4.88	2.88	6.937	2	2
5412 ESFRQ060604	6.5	6.5	4.125	4.88	4.88	6.937	4	2
5412 ESFRQ080604	8.5	6.5	4.125	6.88	4.88	8.937	4	2
5412 ESFRQ080804	8.5	8.5	4.125	6.88	6.88	8.937	6	3
5412 ESFRQ100804	10.5	8.5	4.125	8.88	6.88	10.937	6	4
5412 ESFRQ121005	12.5	10.5	5.125	10.88	8.88	12.937	8	7
5412 ESFRQ100806	10.5	8.5	6.125	8.88	6.88	10.937	6	6
5412 ESFRQ121206	12.5	12.5	6.125	10.88	10.88	12.937	10	10
5412 ESFRQ141206	14.5	12.5	6.125	12.88	10.88	14.937	10	12



Data subject to change without notice.



p.352

p.352

<http://www.exmweb.com>

1-800-363-2423

Fax : 450-979-4626



info@exmweb.com